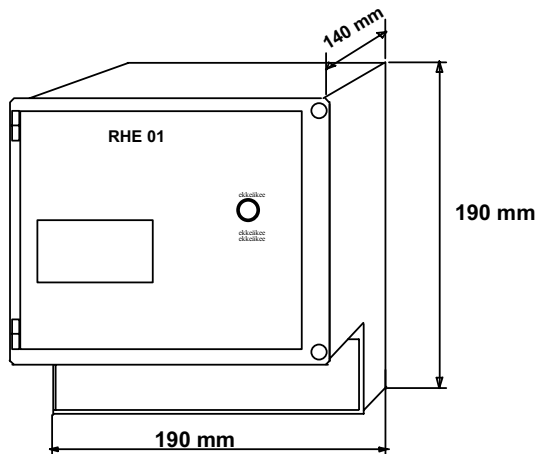




## RHE 01 / RHE 06 - The very economic Rheonik transmitters

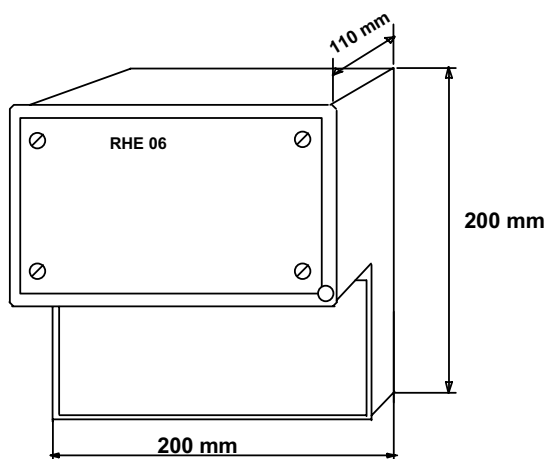
Thousands of units worldwide in use. Economic, most reliable and easy to operate.

### The RHE 01



Weight: approx. 2.1 kg / 4.6 lb

### The RHE 06



Weight: approx. 2.8 kg / 6.2 lb

### Details RHE 01

Housing:	ABS plastic
Protection class:	IP 54
Dimensions:	140 x 190 x 190 mm 5.51 x 7.48 x 7.48"
Operating temperature:	-40 to +60°C -40 to +140°F
Outputs <sup>(*)</sup> :	flow pulses flow direction error
Input <sup>(*)</sup> :	zeroing
Power supply:	230 VAC +/- 10% or 115 VAC +/- 10% or 24 VDC
Cable entries:	3 x PG 9, 1 x PG 13 others optional

### Details RHE 06

Housing:	Aluminium
Protection class:	IP 64
Dimensions:	200 x 200 x 110 mm 7.87 x 7.87 x 4.33"
Operating temperature:	-40 to +60°C -40 to +140°F
Outputs <sup>(*)</sup> :	flow pulses flow direction error
Input <sup>(*)</sup> :	zeroing (intrinsically safe)
Power supply:	230 VAC +/- 10% or 115 VAC +/- 10% or 24 VDC
Cable entries:	3 x PG 9, 1 x PG 13 others optional

<sup>(\*)</sup> In/outputs via open collector optocouplers.  
For details see wiring diagrams.