

## RHE 07 / RHE 08 - The advanced Rheonik transmitters

Thousands of units worldwide in use. Suitable for all Rheonik mass flowmeters, with multiple functions and outputs.

### The RHE 07



#### FEATURES RHE 07

- Rack mounting version
- Allows to operate flow sensor in hazardous area, optional: ATEX Approval Ex II (1) G [EEx ia] IIC or CSA 220705
- 2 analog outputs (0/4 - 20/22 mA)
- 1 pulse/frequency output
- Available in all common supply voltages
- Multifunctions (density, batch, brix, concentration...)
- Version available with RS 422/485 ...
- Protection class: IP 20
- Power consumption: < 15 W
- Temperature range: -40 to +60°C
- NMI custody transfer approved version available (TC 3382) with double pulse output

### The RHE 08



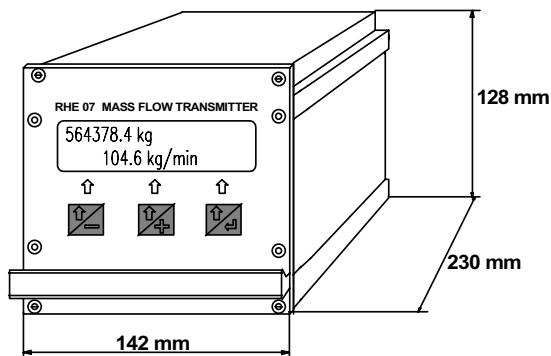
#### FEATURES RHE 08

- Wall mounting version
- Allows to operate flow sensor in hazardous area, optional: ATEX Approval Ex II (1) G [EEx ia] IIC or CSA 220705
- 2 analog outputs (0/4 - 20/22 mA)
- 1 pulse/frequency output
- Available in all common supply voltages
- Multifunctions (density, batch, brix, concentration...)
- Version available with RS 422/485 ... HART interface
- Protection class: IP 64
- Power consumption: < 15 W
- Temperature range: -40 to +60°C

## RHE 07 / RHE 08 - The advanced Rheonik transmitters

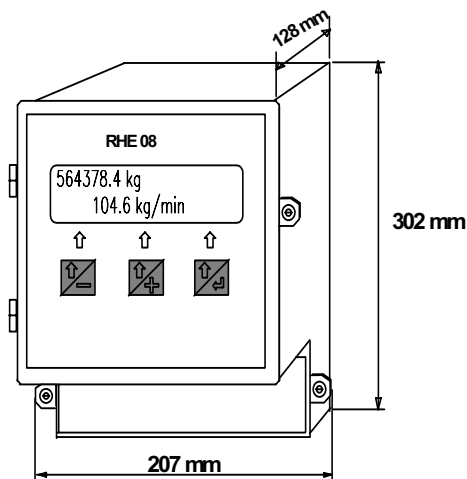
Thousands of units worldwide in use. Suitable for all Rheonik mass flowmeters, with multiple functions and outputs.

### The RHE 07



Weight: approx. 1.9 kg / 4.2 lb

### The RHE 08



Weight: approx. 5.3 kg / 11.7 lb

### Details RHE 07

Housing:	1/3, 19" rack modul (**)
Protection class:	IP 20
Dimensions:	142 x 128 x 230 mm 5.60 x 5.04 x 9.06"
Operating temperature:	-40 to +60°C -40 to +140°F
Display:	LCD (16 charct., 2 lines)
Servicing:	via 3 pushbuttons for all settings
Outputs <sup>(*)</sup> :	2 analog outputs 1 frequency/pulse output 3 digital outputs (Lt, +/-, error...)
Inputs <sup>(*)</sup> :	2 inputs (hold, reset, zero)
Power supply:	230 VAC +/- 10% or 115 VAC +/- 10% or 24 VDC
Interface:	RS 422/485/232 - optional

### Details RHE 08

Housing:	Aluminium (wall mounting)
Protection class:	IP 64
Dimensions:	302 x 207 x 128 mm 11.89 x 8.15 x 5.04"
Operating temperature:	-40 to +60°C -40 to +140°F
Display:	LCD (16 charct., 2 lines)
Servicing:	via 3 pushbuttons for all settings
Outputs <sup>(*)</sup> :	2 analog outputs 1 frequency/pulse output 3 digital outputs (Lt, +/-, error...)
Inputs <sup>(*)</sup> :	2 inputs (hold, reset, zero)
Power supply:	230 VAC +/- 10% or 115 VAC +/- 10% or 24 VDC
Cable entries:	4 x M25 x 1.5 - others optional
Interface:	RS 422/485/232 - optional HART - optional

(\*) In/outputs via open collector optocouplers.  
For details see wiring diagrams.

(\*\*) NMI custody transfer version 1/2, 19" rack modul