

RHE 11 / RHE 12 - The EExd / Nema 7X Rheonik transmitters

The RHE 11 offers many functions and features. The RHE 12 is compact, easy to operate and offers the flow information at a more economic price.

The RHE 11



FEATURES RHE 11

- Stainless steel housing for wall/hook or sensor mounting
- Fully stainless steel version (in SS 316) available on request
- Designed to be installed in hazardous areas
ATEX Approval,
Ex II 2(1) G EEx d e [ia] IIC T5
- 2 analog outputs
- 1 pulse/frequency output
- Available in all common supply voltages
Multifunction (density, batch, brix, concentration...)
- Available with RS 422/485 or
- HART interface
- Protection class: IP 65
- Power consumption: < 15 W
- Temperature range: -40 to +60°C

The RHE 12



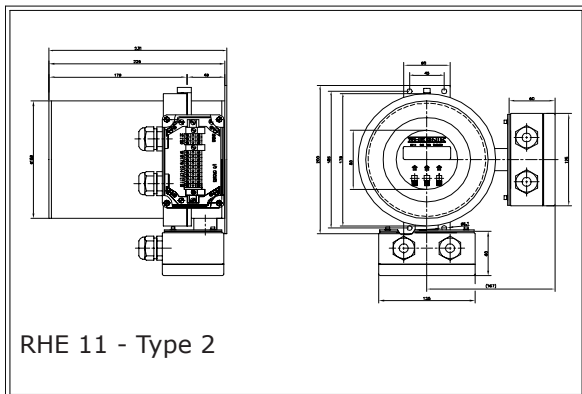
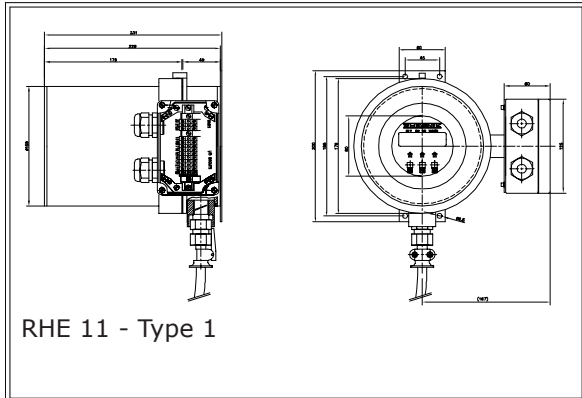
FEATURES RHE 12

- Compact version
- Designed to be installed in hazardous areas
ATEX Approval,
Ex II 2 (1) G, EEx d [ia] IIC T6
CSA pending
- 1 analog output
- 1 pulse output
- Power supply: 24 VDC / 85-230 VAC optional
- HART interface
- Protection class: IP 66
- Power consumption: about 7 W
- Temperature range: -20 to +55°C

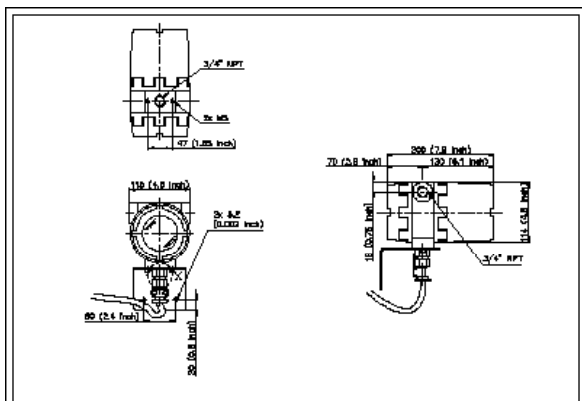
RHE 11 / RHE 12 - The EExd / Nema 7X Rheonik transmitters

The RHE 11 offers many functions and features. The RHE 12 is compact, easy to operate and offers the flow information at a more economic price.

The RHE 11



The RHE 12



Details RHE 11

Housing:	explosion proof stainless steel(*)
Protection class:	IP 65
Dimensions:	diameter: 159 mm / 6.26" height: 225 mm / 8.86"
Weight:	approx. 6.9 kg / 15.21 lb
Operating temperature:	-40 to +60°C -40 to +140°F
Display:	LCD (16 charct., 2 lines)
Servicing:	via 3 photo sensors
Outputs(**):	2 analog outputs 1 frequency/pulse output 1 digital output (Lt, +/-, error...)
Power supply:	230 VAC +/- 10% or 115 VAC +/- 10% or 24 VDC
Electrical connection:	
Power and in/outputs:	via terminal box in Alu(+)
RHM to RHE:	via 2 meters integrated cable or via terminal box in Alu(+)
Cable entries:	2 x M25 x 1.5 others optional
Interface(**):	RS 422/485/232 - optional HART - optional

(*) Complete unit in SS 316 available.

(**) On request with 1 analog output and 1 digital input available
In/outputs & interface via open collector optocouplers / galvanically isolated
RS 422 / RS 485 EExi.

(+) Junction boxes in stainless steel available on request.

Details RHE 12

Housing:	explosion proof
Protection class:	IP 66
Dimensions:	diameter: 114 mm / 4.5" height: 200 mm / 7.9"
Weight:	approx. 2 kg / 4.40 lb
Operating temperature:	-20 to +55°C / -4 to +131°F
Display:	LCD (16 charct., 2 lines)
Servicing:	via 2 photo sensors
Outputs(**):	1 analog, 1 pulse output HART interface
Power supply:	24 VDC (85 - 230 VAC optional)
Electrical connection:	
Power and in/outputs:	via separated cable entries
RHM to RHE:	via 2 meters integrated cable or via 10 meters integrated cable
Cable entries:	3/4" NPT-F

(**) In/outputs & interface via open collector optocouplers / galvanically isolated.