



### Features

- IP67 (Nema 4X) 316L stainless steel or aluminium construction
- Nominal flow range 120 to 3000 lph (0.5 to 13.2 USGPM)
- Performance independent of flow profile or mounting orientation
- Single moving part
- Pressure to 350 bar (5150 psi)
- Temperature to 150°C (300°F)
- Both open collector and reed switch outputs as standard
- Measures low and high viscosity liquids up to 1,000,000 centipoise
- Adaptable to hygienic applications

### Options

- Threaded, flanged or hygienic process connections
- Explosionproof or intrinsically safe operation
- Integral or remote self powered flow rate-totaliser with scaled pulse, analog and flow alarm outputs ( see separate data sheet )
- Integral or remote high speed preset batch controller ( see separate data sheet )

Data Sheet No.SLMP025-0601

## Multipulse 25mm (1") Positive Displacement Flowmeters



### Overview

Multipulse PD flowmeters utilise's the widely accepted oscillating piston design principle with the performance enhanced by the use of modern engineering materials to provide a cost effective and reliable solution for a wide range of industrial flow measurement applications.

### Design Simplicity

Its simple and robust design offers the advantage of only one moving part with both high resolution open collector and reed switch outputs as standard.

As each piston rotation passes a known liquid volume, the inherent repeatability of the Multipulse positive displacement flowmeter makes it particularly suited to batching and dispensing duties.

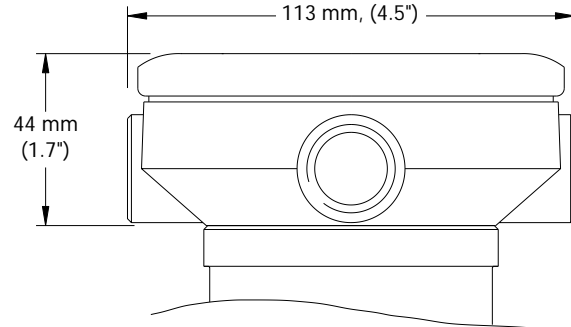
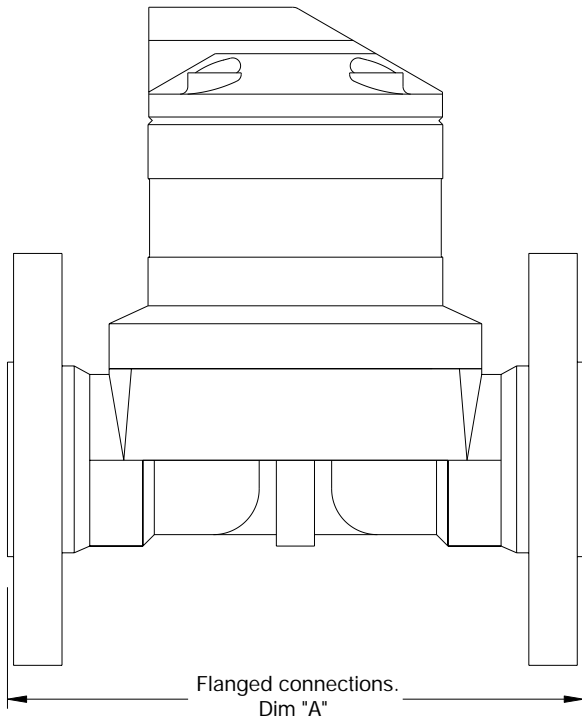
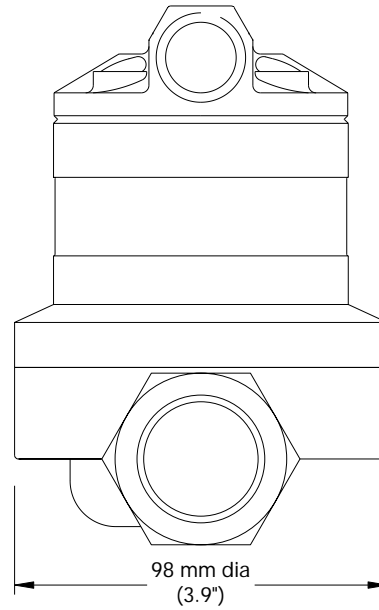
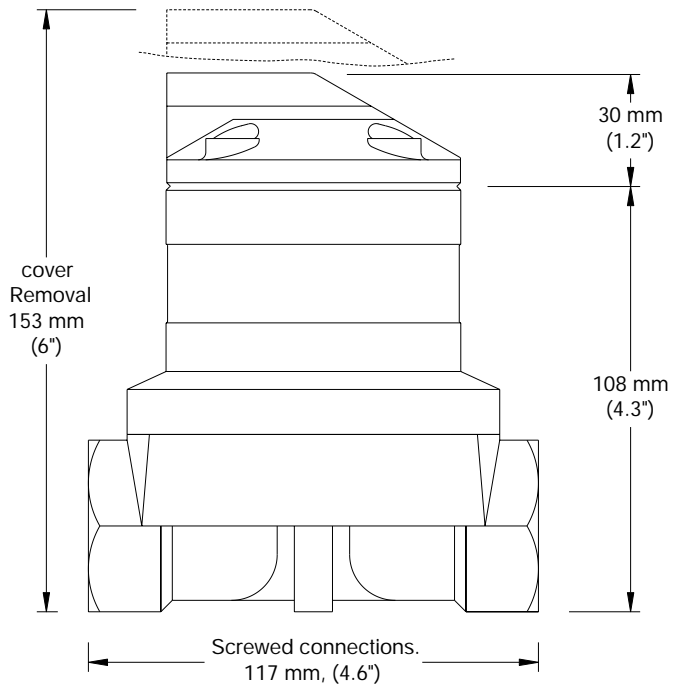
### Application Flexibility

Commonly metered liquids range from non conductive low viscosity solvents through to extremely viscous lubricants, chemicals and food bases.

Application flexibility is further enhanced as meter performance is independent of flow profile eliminating the restrictive need for straight pipe runs required with most alternate metering technologies.

Multipulse has no stagnate chambers to harbor contaminants. There is no restrictions on mounting orientation and the flowmeter may be operated under vacuum flow, pumped flow or gravity flow conditions.

## DIMENSIONS



Optional integral electronic register.

Flange size and type	Dim "A"
1" ANSI 150 RF	152 mm, (6")
1" ANSI 300 RF	170 mm, (6.7")
DN25PN16	165 mm, (6.5")
DN25PN40	173 mm, (6.8")

Note: All dimensions are nominal.  
Drawing not to scale.

## SPECIFICATIONS

	MP025S	MP025A	MP025H
Model Prefix			
Body Material	316L stainless steel	Aluminium	316L stainless steel
Nominal Flow Range*	120 to 3000 lph ( 0.5 to 13.2 USGPM ) <i>* Turndown (flow range) varies in accordance with effective viscosity of metered liquid</i>		
Accuracy	±0.5% of rate <i>Accuracy and turndown can be improved utilising the linearisation feature of the optional Trimec RT flow rate totaliser</i>		
Repeatability	Typically ±0.03% under steady flow conditions		
Maximum Pressure	100 Bar ( 1500 psi )	80 Bar ( 1200 psi )	350 Bar ( 5150 psi )
Temperature Range	Three ranges covering operation from - 40 to 150°C (- 40 to 300°F) <i>limited to 80°C (176°F) with integral electronic register</i>		
Piston Material	PEEK (polyetheretherketone), optional carbon filled teflon <i>For special materials - consult factory</i>		
O-Ring Material	viton, EPR (EPDM), teflon encapsulated viton or nitrile ( Buna-N )		
Reed Switch Output	30vdc maximum voltage, 20mA maximum current <b>Pulse resolution:</b> nominally 20 pulses / litre ( 76 pulses / US gallon )		
Open Collector Output	5 to 24vdc (25vdc maximum) 3 wire NPN (sinking current) 20mA maximum current - 1000 metres (3300 ft) maximum transmission <b>Pulse resolution:</b> nominally 100 pulses / litre ( 380 pulses / US gallon )		
Electrical Connection	M20 x 1.5 or ½" NPT female entries		
Process Connections	1" BSPP or NPT 1" ANSI 150/300RF flanges DN25 PN16/40 flanges 40mm triclamp hygienic <i>( others on request )</i>	1" BSPP or NPT <i>( Lap Joint Flanges on request )</i>	1" BSPP or NPT <i>( others on request )</i>
Environmental Protection	IP67 (Nema 4X), optionally flameproof to Exd IIB T4 (Class 1, Groups C & D)		
Recommended Filtering	250 microns ( 50 mesh )		

### Remote Mounting Options for 100 Series Electronics



# ORDERING INFORMATION

MP025

S  
A  
H

## BODY MATERIAL

316L stainless steel  
Aluminium  
High pressure 316L stainless steel

2  
3

## PISTON & BEARING

PEEK (standard)  
Carbon filled teflon

1  
2

## PARTITION MATERIAL

Ceramic (for non lubricating liquids)  
316L stainless steel (standard)

1  
2  
3  
4

## O-RING MATERIAL

Viton (standard)  
EPDM  
Teflon encapsulated viton  
Nitrile (Buna-N)

- 1  
- 2  
- 3

## TEMPERATURE RANGE

-40 to 60°C (-40 to 140°F)  
10 to 120°C (50 to 250°F) \* see Note 1  
60 to 150°C (140 to 300°F) \* see Notes 1 & 2

1  
2  
3  
4  
5  
6  
7  
9

## PROCESS CONNECTIONS

1" (25mm) BSPP female  
1" (25mm) NPT female  
1½" (51mm OD) triclamp ferrule  
1" ANSI-150 RF flanges  
1" ANSI-300 RF flanges  
DN25-PN16 flanges  
DN25-PN40 flanges  
Customer nominated (special)

1  
2

## CONDUIT ENTRY

M20 x 1.5 female  
½" NPT female

## OPTIONS (integrally mounted)

00 None  
EX Flameproof (Exd)  
R1 RT11 rate / totaliser (scaleable pulse output & NLC\*)  
R2 RT12 rate / totaliser (RT11 + 4-20 mA output & alarms)  
EB Ecobatch high speed preset batch controller

**Note 1 :** Optional electronic register must be remotely mounted if the operating temperature exceeds 80°C (176°F)

**Note 2 :** PEEK piston & open collector output only

\*NLC : MULTI POINT NON LINEARITY CORRECTION

**TRIMEC**  
INDUSTRIES

## HEAD OFFICE & FACTORY

2/1 KOONYA CIRCUIT,  
TAREN POINT,  
SYDNEY, N.S.W.  
AUSTRALIA

Tel : +61 2 9540 4433  
Fax : +61 2 9525 9411  
Email : sales@trimecind.com.au  
Website : www.trimecind.com

## TRIMEC EUROPE LTD

Floor 3, 5A Boltro Road  
HAYWARDS HEATH  
WEST SUSSEX  
UNITED KINGDOM RH16 1BP

Tel : +44 144 441 7880  
Fax : +44 144 441 7668  
Website : www.trimecind.com

## TRIMEC USA LLC

2603 CAMINO RAMON, 2nd Fl.  
SAN RAMON,  
CALIFORNIA 94583  
U.S.A.

Tel : 925-242-2510  
Fax : 925-736-8497  
Email : schriefer@trimecusa.com  
Website : www.trimecind.com