

# MFP7 High pressure industrial pressure gauges

Ø 150

**High pressure pressure gauge**

**Accuracy ±1.6%**

**Safety shield**

The MFP7 is a very tough, high quality, high pressure industrial pressure gauge. The pressure ranges cover 0-2000 to 0-4000 bar.

This range of pressure gauge is designed principally for high pressure applications, hydraulic systems and test benches. A special high pressure chemical seal (optional) can be fitted to the MFP7 pressure gauge for use with aggressive fluids.



## Specifications (20°C)

<b>Measurement range</b>	From 0 to 4000 bar. (see standard graduations overleaf) Withstands 5 % overpressure
<b>Accuracy</b>	± 1,6 % full scale
<b>Environmental protection</b>	IP 54 in accordance with EN 60529
<b>Sensing element and connection</b>	

<b>CONNECTOR MATERIAL</b>	Stainless steel	
<b>CONNECTOR</b>	22 AF (G1/2) or 27 AF (M16x1.5 female)	
<b>THREAD</b>	G 1/2 ≤ 2500 bar M18x1.5 female for 6.35 tube ≥ 3000 bar	
<b>SENSING MATERIAL</b>	2000 - 2500 bar: 1.4404 stainless steel (AISI 316 L) 3000 - 4000 bar: inconel	
<b>TUBE / CONNECTOR JOINT</b>	welded: 2000 bar	screwed ≥ 2500 bar
<b>OPERATING TEMPERATURE</b>	°C	
<b>Fluid temperature</b>	- 20°C to 150°C	
<b>Ambient temperature</b>	0°C to 80°C	

<b>Housing</b>	Oil based painted aluminium alloy Glycerophthal-schutzlackiert
<b>Bezel</b>	Screwed aluminium alloy
<b>Window</b>	Polycarbonate
<b>Window seal</b>	Nitrile rubber
<b>Movement</b>	Copper alloy
<b>Dial</b>	Aluminium alloy Numbers and marking black on white background The scale acts as a safety, black
<b>Pointer</b>	Aluminium alloy, balanced, black
<b>Safety vent</b>	On the back of the pressure gauge

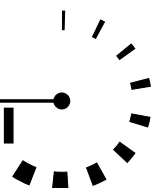
## Options

### Uncoded options (to be written in full after the code)

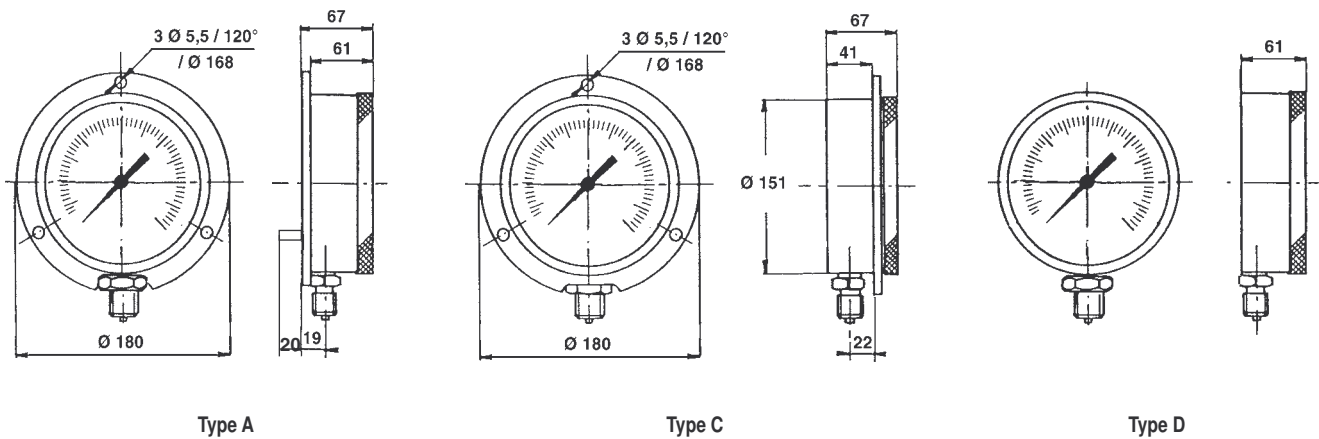
Maximum pressure needle with reset  
Contacts  
Liquid filled  
G1/2 pressure connector for  
D020 (38378-02) separator ≤ 3000 bar  
Other connections

**BOURDON  
HAENNI**

made to measure



## Dimensions (mm)



Type Ø	Weight		
	A	C	D
150	1530	1530	1415

## Codification - MFP7

	MFP7	xx0	xxx
<b>Model</b>	1'...3' Digit		
Pressure gauges	MFP		
<b>Dial diameter</b>	4' Digit		
150 mm	7		
<b>Type of mounting</b>	5' Digit		
rear connector, rear flange	A		
bottom connector, front flange	D		
bottom connector	C		
<b>Connector thread</b>	6' Digit		
G1/2 (max. 2500 bar)	3		
M16 x 1.5 female for 6.35 tube	U		
<b>Filling</b>	7' Digit		
none	0		
<b>Unit of measurement</b>	8' Digit		
bar		B	
psi			H
<b>Pressure range</b>	9'...10' Digit		
See codes in table			xx

code	Measurement scale (bar)	Measurement scale (psi)
43	0 + 2000	0 + 30000
96	0 + 2500	-
44	0 + 3000 <sup>(1)</sup>	-
45	0 + 4000 <sup>(1)</sup>	0 + 60000 <sup>(1)</sup>

(1) M16x1.5 female only

UK/11-2002 This data sheet may only be reproduced in full