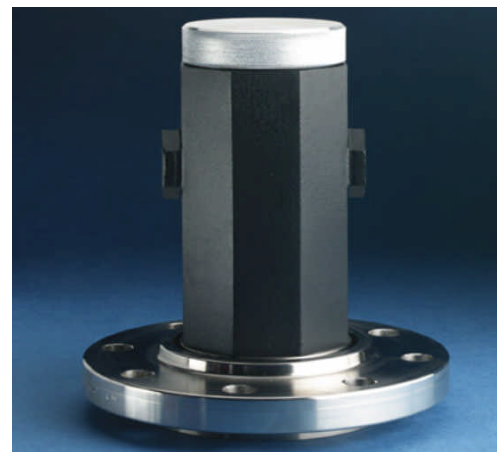
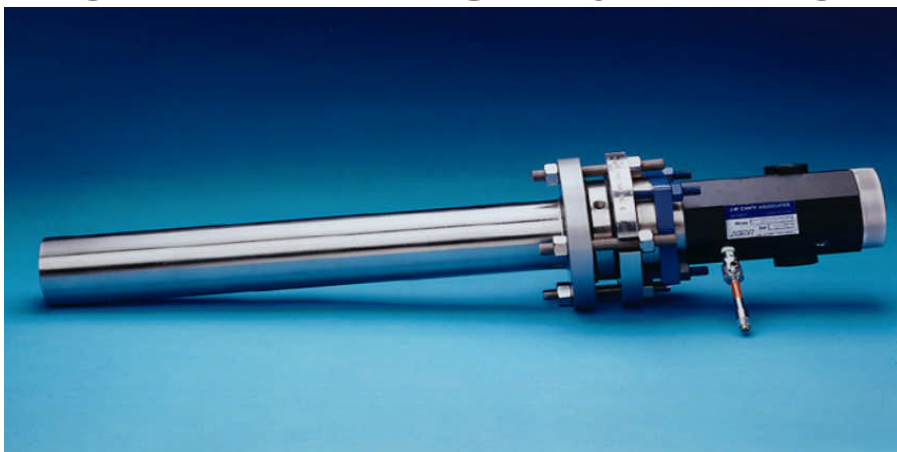


# CANTY

## PROCESS TECHNOLOGY

## HIGH TEMPERATURE CAMERAS



### UNMATCHED PERFORMANCE

Canty High Temperature Cameras are ideal for demanding applications involving visual inspection or verification in extreme temperature environments.

- Computer designed optics for a crystal-clear picture.
- All cameras feature state of the art CCD camera technology.
- A digital electronic auto-iris provides an exceptional image of your application without the problems associated with manual apertures.
- High temperature lenses designed to survive in process without cooling air.

### SAFETY IS A PRIMARY CONCERN

Canty High Temperature Camera Systems feature a fused glass seal standard with every model.

This unique seal provides an impenetrable safety barrier to protect the camera electronics from the harsh process environment and preventing hazardous vapors from escaping into your plant.

### NO LENS AIR PURGING REQUIRED

Unlike other manufacturers, Canty does not require air to keep the lenses cool.

Loss of air will not destroy our camera system!

A positive air flow is used for maintenance purposes only to keep dust and soot from accumulating on the lens.

*As a result, many applications will not require any air purge, which can save thousands of dollars per year!*

### APPLICATIONS

- Furnaces
- Power Boilers
- Black Liquor Recovery Boilers
- Incinerators
- Kilns
- Melting Chambers

### FEATURES

- No cooling air required. Air is used for cleaning only!
- Disposable Quartz Protective Shield
- High Temperature Furnace Lens - Models Up To 3000°F
- Auto Electronic Iris
- High Quality Quartz Optics
- Fused Glass Seal Separates Electronics From Process
- Insertion Lens Available Up To 36" Long
- Non-Blooming CCD Camera - Color, B & W

### SPECIFICATIONS

CCD Sensor:	NTSC or PAL available.
Sensitivity:	Color - .1 lux typ. at F =1.4 B&W - .0001 lux typ. at F =1.4
Video Output:	1.0 V p-p, 75 ohm
Cable:	RG 59/U, RG 11/U, RG 6/U coaxial cable suitable for CCTV applications is recommended
Power Req.:	12 V DC, 0.5A max. User supplies 120 V AC, 60 Hz power (240 V , 50 Hz models available) Canty supplies transformer to 12V DC.
Ratings:	Available in NEMA 4, IP66
Mounting:	3" 150# ANSI or 80 mm DIN flange

**CANTY**

JM Canty Inc

Buffalo, NY USA

Ph: (716) 625 4227

Fax: (716) 625 4228

JM Canty Intl Ltd

Dublin, Ireland

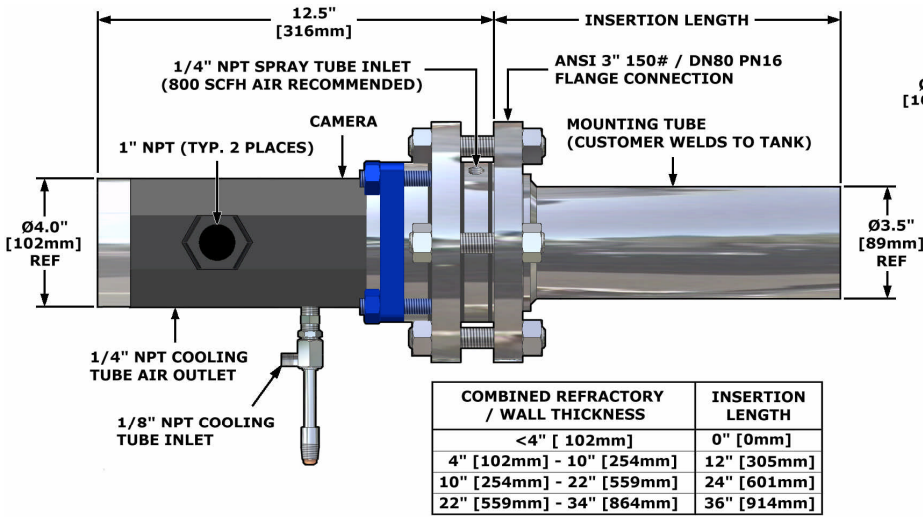
Ph: + 353 (01) 882 9621

Fax: +353 (01) 882 9622

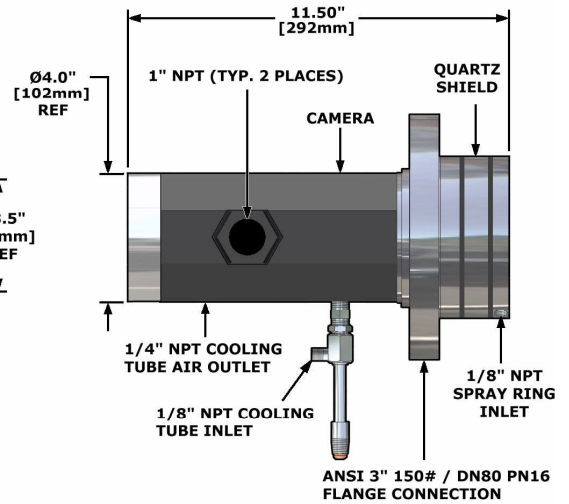
[www.jmcanty.com](http://www.jmcanty.com)

# DIMENSIONAL INFORMATION

## Insertion sizes 12" and Larger



## Non Insertion Models



- For 0" Insertion models, customer must provide a 3", 150# ANSI (U.S.) or DN80 PN16 (Europe) flange connection to mount camera.
- For all other insertion lengths, customer must provide a 3.5" [89 mm] diameter mounting hole to weld Cauty supplied mounting tube to furnace.
- Layout drawings and additional insertion lengths available. Consult factory.

## Ordering Information

**HOW TO ORDER:** Select the appropriate symbols and build a model number as shown:

**EXAMPLE:**

**VSHDC66C1-S-3FL150S-24INS-CT-ST**

