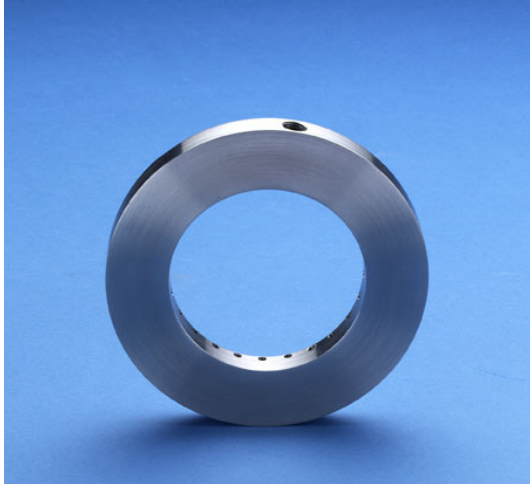


# CANTY

PROCESS TECHNOLOGY

## JET SPRAY RING



### JET SPRAY RING MODELS

*Open Channel*

Most popular spray ring model. For use with Fuseview™ flat gasket, non-insertion style lights and cameras. Recommended for use with full-faced gaskets. Fluid distribution channel is accessible.

*Closed Channel*

For use with Fuseview™ flat gasket, non-insertion style lights and cameras. Fluid distribution channel is not accessible.

*Closed Channel Insertion*

Use with any CANTY insertion camera or light.

### UNIQUE DESIGN

The Cauty Jet Spray Ring generates a high pressure vortex rinsing action to remove tough deposits from sightglasses, lights and vision systems.

The Jet Spray Ring accepts a rinsing/cleaning solution and distributes the pressurized material through the specially designed rinse ports. These rinse ports have been engineered to provide maximum cleaning power in a compact package. The Jet cleaning action expels all debris from the sightglass, providing an exceptional view into the process.

The Jet Spray Ring may be used for constant preventive or instantaneous blast-off cleaning. As a suggestion, cleaning may be timed for 5 seconds every hour, or tied in with normal CIP (Clean in Place). Any low viscosity fluid compatible with your process may be used. Common cleaning agents for powder service include air and nitrogen, while common liquid service agents include water or solvents.

### APPLICATIONS

- Process Vessels
- Laboratory Reactors
- Research Vessels
- Dryers
- Pressure Chambers
- Incinerators
- Many, many more!

### FEATURES

Materials:	Stainless Steel Hastelloy Aluminum Titanium Monel Inconel Teflon®
Mounting:	ANSI and DIN sizes
Pressures:	150 PSI, 16 bar Pressures up to 5000 PSI are available on certain models
Sizes:	1.5" ANSI and larger 40 mm DIN and larger

Please consult the factory or your local representative for custom applications.

### JET SPRAY RING - US SPACE PROGRAM ORIGATION

The Jet Spray Ring was originally designed to eliminate bothersome PVC build-up on sightglasses and used in the manufacture of heat shield tile epoxy for the US space shuttle program. Since it's original conception, the spray ring has been used on many applications in the pharmaceutical, chemical, petro-chemical and dairy industries.

#### JM CANTY INC.

Buffalo, NY USA  
Ph:(716)625-4227  
Fax:(716)625-4228

#### JM CANTY LTD.

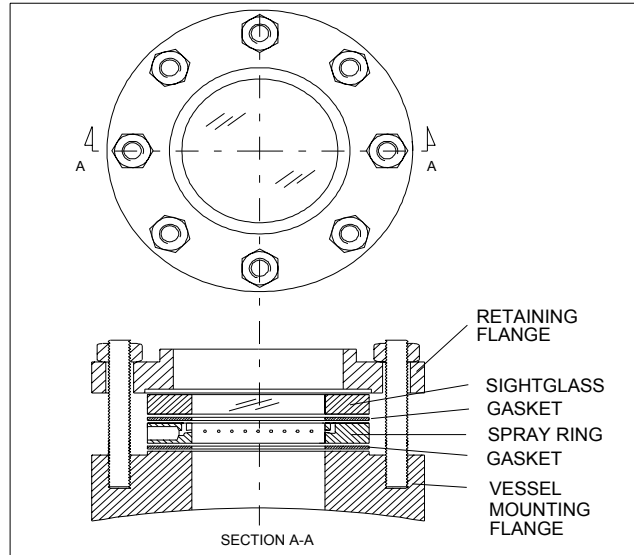
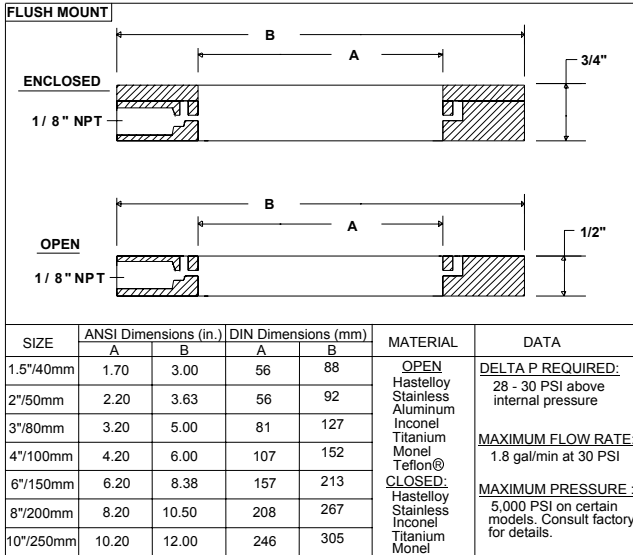
Dublin, Ireland  
Ph:(353)(01)459-8808  
Fax:(353)(01)462-5133

sales@jmcanty.com

Represented by:



## FLUSH MOUNT SPRAY RING



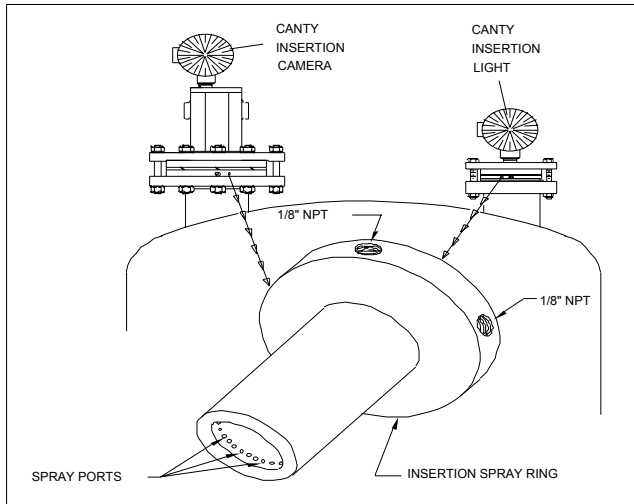
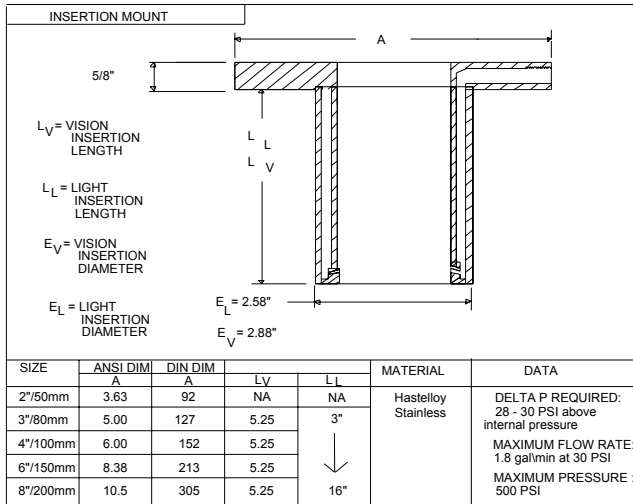
**HOW TO ORDER:** Select the appropriate symbols and build a model number as shown:

**EXAMPLE:**

**SS - 4 - SR150 - ENC**

<p>SPRAY RING MATERIAL</p> <p>SS = 316 Stainless Steel    INC = Inconel 600                  HC = Hastelloy C            TIT = Titanium Grade 2                  C276 = Hastelloy C276      MON = Monel 400                  C22 = Hastelloy C22        AL = Aluminum 6061 T6                  TEF = Teflon®</p>	<p>MODEL</p> <p>LEAVE BLANK = Open Channel                  ENC = Enclosed</p>	<p>SIZE</p> <p>ANSI - 1.5", 2", 3", 4", 6", 8", 10"                  DIN - 40, 50, 80, 100, 150, 200, 250 mm</p>	<p>PRESSURE</p> <p>150 - 150 PSI (typ.)                  16 - 16 bar (typ.)</p>
--	--	--	---

## INSERTION SPRAY RING



**EXAMPLE:**

**SS - 4 - SR150 - L - 6INS**

<p>SPRAY RING MATERIAL</p> <p>SS = 316 Stainless Steel                  C276 = Hastelloy C276                  C22 = Hastelloy C22</p>	<p>INSERTION LENGTH</p> <p>Must match insertion length                  of lighting or vision system                  (2" - 16" )</p>	<p>MODEL</p> <p>L = LIGHT                  V = VISION</p>
<p>SIZE</p> <p>ANSI - 2", 3", 4", 6", 8"                  DIN - 50, 80, 100, 150, 200 (mm)</p>	<p>PRESSURE</p> <p>150 - 500 PSI max.                  16 - 34 bar max.</p>	