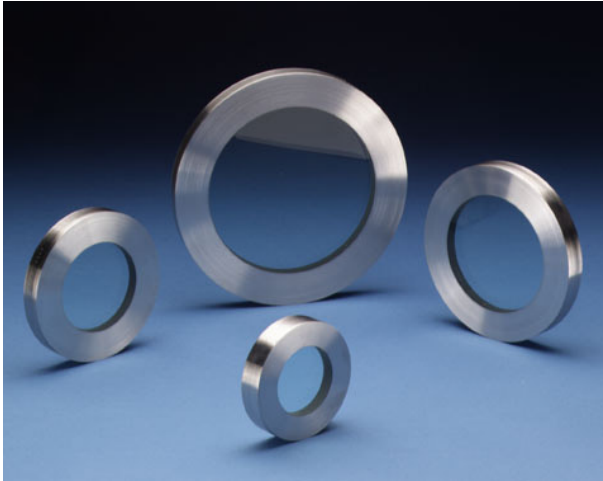


CANTY

PROCESS TECHNOLOGY

FUSEVIEW™ ANSI/DIN SIGHT GLASS



THE CANTY ADVANTAGE

J.M. Canty Fuseview™ sight glasses have been engineered to meet all your process and safety needs. All standard Fuseviews™ feature Factory Mutual approval and were designed and tested to ensure the safest product available. Canty can provide certification of material and testing if required, typical of ASME code requirements for process vessels.

UNMATCHED SAFETY, RELIABILITY

All Canty sight glasses feature the Fuseview™ window. Our unique fused glass windows far exceed all conventional tempered glass windows in safety and performance. By fusing glass to metal, a high pressure, high safety, hermetic seal is formed. The fused glass technology ensures safety with every Fuseview™. What's more, our windows can easily be removed for cleaning. Canty windows do not have to be discarded, as do traditional tempered glass windows. Canty fused glass windows can be re-used again and again.



FEATURES

- Standard models are *FM approved* !
- Stainless steel, carbon steel, alloy C, C276, and C22 fusing ring
- 150# through 1500#, 10 bar through 40 bar models
- Special pressures through 10,000 PSI are available
- Standard temperatures to 650°F, specials to 2000°F
- Specials available to retrofit any existing sight glass
- Quartz and Sapphire faced Fuseviews™ for caustic service
- Glass wetted models for glass lined vessels
- Straight thread or NPT Fuseviews™ for threaded connections

UNIQUE OPTIONS

- Dual fused glass option - for high temperature applications
- Lighting - Flex bundle light available to eliminate the need for a second nozzle
- Canty Jet spray ring - used for cleaning or cooling
- Tri-clamp® one piece Fuseview™ for sanitary processes

ADVANTAGES OF THE FUSEVIEW™

- *Standard models feature FM approval !*
- Extremely high strength due to radial compression on the hermetically sealed glass
- Eliminates chance of catastrophic failure due to bolt-up
- Very high impact strength and thermal shock resistance due to prestressing
- Operates under positive or negative pressure
- Certification on material and pressure rating is available, typical of ASME code requirements

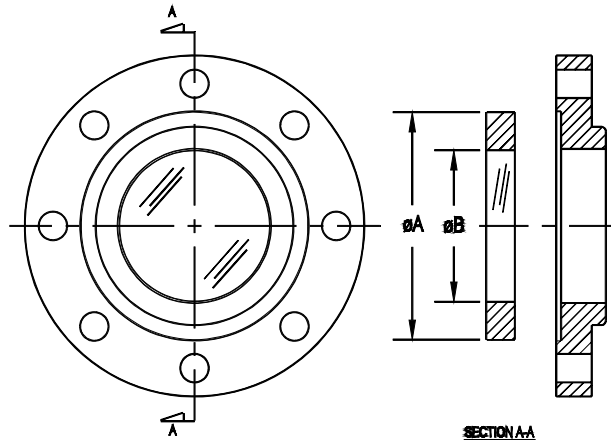
CANTY FUSEVIEW™ VS. OTHERS

- No bolt loading on glass. All the load is carried by the fusing ring so you can use whatever torque you need as specified by the gasket manufacturer and your process.
- The Fuseview™ sight glass allows the use of standard process gasketing. No special gaskets are required.
- Canty Fuseviews™ may be removed for cleaning and inspection. This is not allowed with ordinary glass, due to residual stresses incurred at bolt-up.
- No loss of glass temper over time!
- Scratches do not affect safety or life.
- Unlike tempered glass, a Fuseview™ will not blow out if the surface is damaged.
- No shims, packing, or adjusting screws to worry about
- Canty mounts to standard ANSI or DIN dimensions

Dimensional Information

ANSI Dimensions

SIZE	A	VIEW B	PRESSURE RATING PSI	TEMP RATING °F
1"	2.000	1.125	150/300/600	450
1.5"	3.000	1.500	150/300/600	450
2"	3.625	2.125	150/300/600	450
2.5"	4.000	2.500	150/300/600	450
3"	5.000	3.000	150/300/600	450
4"	6.000	4.000	150/300/600	450
5"	7.500	5.000	150/300/600	450
6"	8.375	6.000	150/300/600	450
8"	10.500	8.000	150/300	400
10"	12.000	9.500	50	300



DIN Dimensions

SIZE mm	A	VIEW B	PRESSURE RATING BAR	TEMP RATING °C
25	68	38	10/16/25/40	232
32	78	38	10/16/25/40	232
40	88	51	10/16/25/40	232
50	92	51	10/16/25/40	232
65	122	76	10/16/25/40	232
80	127	76	10/16/25/40	232
100	152	102	10/16/25/40	232
125	190	127	10/16/25/40	232
150	213	152	10/16/25/40	232
200	267	203	10/16	204
250	305	241	10	150

Retrofit Cartridge Dimensions

SIZE	A	VIEW B	PRESSURE RATING PSI	TEMP RATING °F
2"	3.000	2.000	150/300/600	450
2.5"	4.500	2.500	150/300/600	450
3"	4.800	3.000	150/300/600	450
4"	5.900	4.000	150/300/600	450
4.5"	6.500	4.500	150/300/600	450
4.5"	6.750	4.500	150/300/600	450
4.5"	6.890	4.500	150/300/600	450
4.5"	7.000	4.500	150/300/600	450
5.6"	7.875	5.600	150/300	450
7.0"	9.500	7.000	150	400
7.3"	9.813	7.300	150	400



Ordering Information

HOW TO ORDER: Select the appropriate symbols and build a model number as shown:

EXAMPLE: HC - 4 - FV150 - NF - 5.90D

WINDOW MATERIAL
 CS = CARBON STEEL
 SS = 316L STAINLESS STEEL
 HC = ALLOY C
 C276 = ALLOY C276
 C22 = ALLOY C22

SIZE
 ANSI - 1", 1.5", 2", 2.5", 3", 4", 5", 6", 8", 10"
 DIN - 25, 40, 50, 65, 80, 100, 125, 150, 200, 250 mm
 ANSI - 2", 2.5", 3", 4", 4.5", 5.6", 7", 7.3"

OUTSIDE DIAMETER - "A"
 (CARTRIDGE ONLY)

RETAINING FLANGE
 CS = CARBON STEEL
 SS = STAINLESS STEEL
 NF = NO FLANGE

PRESSURE

<u>ANSI</u>	<u>DIN</u>
150 = 150 PSI	10 = 10 BAR
300 = 300 PSI	16 = 16 BAR
600 = 600 PSI	25 = 25 BAR
	40 = 40 BAR

JM CANTY INC.
 Buffalo, NY USA
 Ph:(716) 625 - 4227
 Fax:(716) 625 - 4228
 sales@jmcanty.com

JM CANTY LTD.
 Dublin, Ireland
 Ph:+353 (01) 459 8808
 Fax:+353 (01) 462 5133

Represented by:

