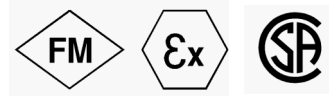
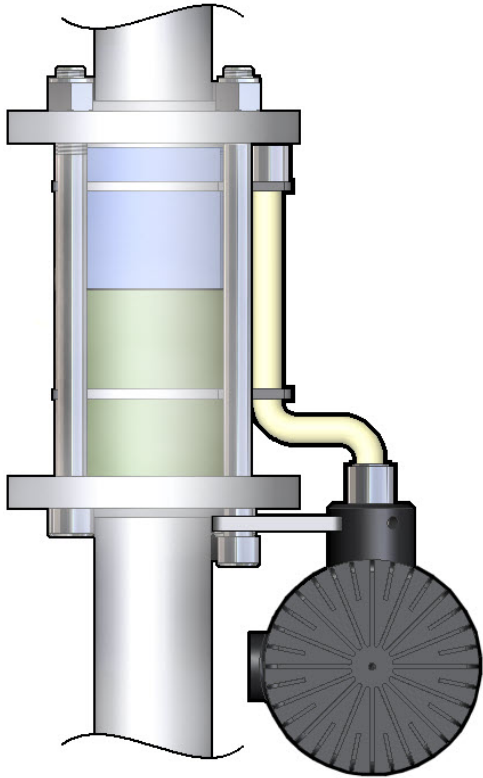


CANTY

PROCESS TECHNOLOGY

GAUGE GLASS ILLUMINATOR



UNIQUE DESIGN

Canty Gauge Glass Lighting Systems consist of four main components:

Light Source

The light source can be purchased in explosion proof, flame proof or weather proof packages. A high output halogen bulb and reflector are used to provide maximum illumination for your level indicator. An infra-red filter removes all heat from the light, providing only cool light.

Power Supply

Various power supplies are available to meet all your needs. OEM, NEMA 4/IP66 weather proof and explosion proof/flame proof housed power supplies are all available as required by your application.

Solid Flex bundle

The Solid Flex Bundle is used to fiber optically transmit the light from the light source on to the indicator.

Mounting Bracket options

Various mounting bracket options are available to mount the light source. Consult your local sales representative for details.

HOW IT WORKS

Canty Gauge Glass Lighting Systems are designed to illuminate liquid level gauges and tubular sight flows. The solid flex bundle can easily be attached directly to the tube glass, providing a high intensity light to pass through the liquid, strongly emphasizing the liquid level. Units are designed for use in harsh environments.

APPLICATIONS

- Liquid Level Gauges
- Tubular Sight Flows
- Interface Detection
- Phase Split
- Separators
- Many, many more!

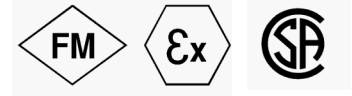
FEATURES

- Robust, Compact and Lightweight
- High Output Halogen Lamp
- Solid Flex Bundle with Crush Resistant Teflon® Cladding
- Cold Light - No Product Bake-On

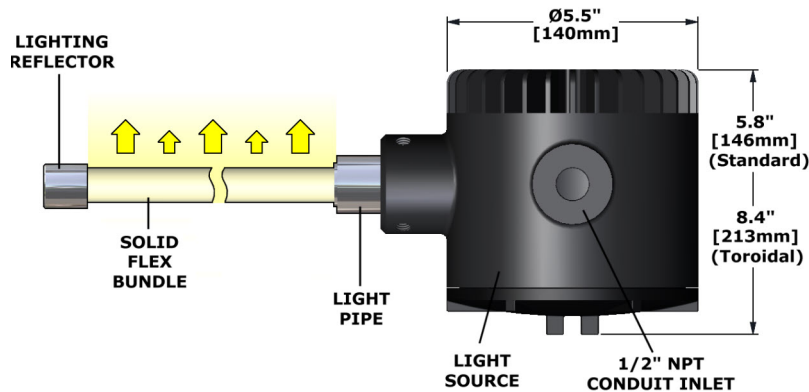
RATINGS

Various models feature approvals by:

- Factory Mutual:
 - Class I, Div. 1, Groups B, C & D
 - Class II, Div. 1, Groups E, F & G
- Approval to ATEX/CENELEC standards:
 - II 2 GD, EExd II C T6
- CSA



DIMENSIONAL SPECIFICATIONS



Note: Actual bend radius for fiber optic solid flex bundle is 12" [30.5 cm].

Ordering Information

HOW TO ORDER: Select the appropriate symbols and build a part number as shown:

EXAMPLE:

HEU63R

Light Source

Weather Proof Models	EXP / FP Models
EM - 80 Watt Toroidal (120V)	HE - 80 Watt Toroidal (120V)
E1 - 80 Watt Toroidal (230V)	E7 - 80 Watt Toroidal (230V)

Bundle End Fitting

- R** - Reflector (Side Emitting)
- N** - No Reflector (End Emitting)

Flex Bundle Type

6 - Solid

Flex Bundle Length* (Inches)

1 - 24"	6 - 80"	B - 132"
2 - 36"	7 - 84"	C - 144"
3 - 48"	8 - 96"	D - 160"
4 - 60"	9 - 108"	E - 172"

Power Supply Options

Power Supplies for Weather Proof Toroidal Lights

- U** - Customer supplies ON/OFF switch
- J** - [Includes switch mounted in a WP enclosure \(120V\)](#)
- P** - Includes switch mounted in an IP enclosure (230V)

Power Supplies for EXP / FP Toroidal Lights

- U** - Customer supplies ON/OFF switch
- P** - [Includes switch mounted in an EXP enclosure](#)

* Bundle lengths listed are standard but can be cut to length as required, providing cut surface is polished to the same finish as tip before cutting. Custom bundle lengths available on request.

WP = Weather Proof
EXP = Explosion Proof
FP = Flame Proof
IP = Ingress Protection

CANTY

JM Canty Inc

Buffalo, NY USA

Ph: (716) 625 4227

Fax: (716) 625 4228

JM Canty Intl Ltd

Dublin, Ireland

Ph: +353 (01) 882 9621

Fax: +353 (01) 882 9622

www.jmcanty.com.c