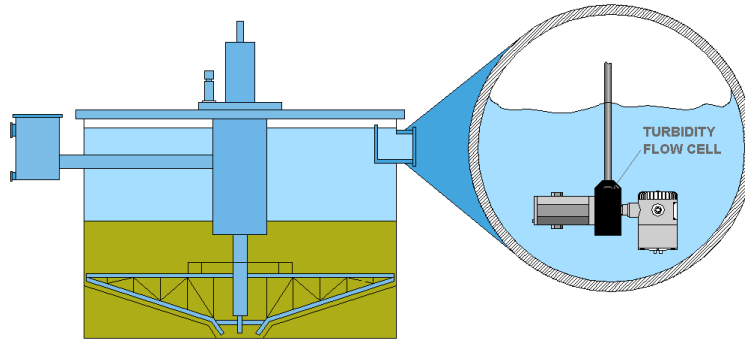


CANTY

PROCESS TECHNOLOGY

EFFLUENT TURBIDITY



CUSTOMER PROBLEM

Monitoring of particulate suspended in flow exhibited several draw backs with existing metering equipment. Measurements were made by analyzing samples in lab due to rugged process conditions that affected on-line performance of turbidity meters. This type of sampling also was subject to the sampling method of the operator and could be done only at half hour intervals due to time involved taking samples from various process points

CANTY'S SOLUTION

Installation of a submerged vision system in process transfer tanks allows for on-line data to be processed continuously and provide instant feed back to operators for better control of turbidity in fluids being processed for return to service or emission to environment.

EQUIPMENT

Canty Vector system with 4-20 output and optional multiplexer for multiple line control. Submersible Camera/Light system for data/video acquisition.

J.M. CANTY INC.

Buffalo, NY USA
Ph. (716) 625-4227
Fax. (716) 625-4228
99A7711 2-082400

J.M. CANTY LTD.

Dublin, Ireland
Ph. (353) (01) 459-8808
Fax. (353) (01) 462-5133

[e-mail:sales@jmcanty.com](mailto:sales@jmcanty.com)
<http://www.jmcanty.com/>