

CANTY

PROCESS TECHNOLOGY

SOLIDSIZER™ Industrial Solid Particle Analysis System



FEATURES

- Particle distribution by major, minor diameter, area, perimeter available with Canty Vector System.
- Real time, on-line particle size analysis
- Adjustable lens magnification (sub micron through boulders – no upper size limit). Consult factory
- Fiber optic lighting backlighting for true shape illumination
- Shape Analysis
- External video connectors for signal processing by Canty Vector System (optional)
- Optional light filters available for wavelength sensitive materials

ON LINE PARTICLE SIZING

The Canty Industrial Solidsizer is an on-line particle sizing tool for lab environments to determine particle size, shape and distribution, thereby eliminating the need for sieve analysis.

THE CANTY ADVANTAGE

The JM Canty Industrial SolidSizer is a vision-based sensor used with the Vector System for dry particle size measurement in a production environment as an on-line production tool. The SolidSizer includes a B & W camera with a shutter speed control and a variable magnification lens, a light source with a flexible fiber optic light guide to generate a uniform light field to display silhouette images of opaque particles, and a vibratory feeder to present sample material to the camera / lights in free fall. The weatherproof camera is equipped with a spray ring that can be charged intermittently to control dust buildup on the outside of the camera view port. The camera video is provided to the Vector System for analysis that extracts particle size information. This sheet identifies the features of the SolidSizer and provides ordering information. Typical installations also include the Vector System.

APPLICATIONS

- Pharmaceutical powders
- Polymer pellets and beads
- Agricultural products
- Aggregates
- Crushed rock
- Glass bead applications
- Screen break detection
- Agglomeration control
- Spray dryers and fluid bed applications
- Replaces existing lab screen / sieve systems
- End product Q.C. and lot certification
- Many, Many More

SPECIFICATIONS

- Power: 120 VAC / 60 Hz (230VAC / 50 Hz)
- Shutter Speed: variable up to 1/100,000 sec
- Instrument Air: 20 to 30 PSI when required

BENEFITS

- Reduces Lab Screening Labor by 99%
- Output Matches Sieve/Screen Data - Direct Replacement
- Three Month Pay Back

Ordering Information

HOW TO ORDER: Select the appropriate symbols and build a model number as shown:

EXAMPLE:

SPA-6200

Video Format/Input Power

- A - EIA, 115V AC, 60 Hz (North American Standard)
- B - CCIR, 230V AC, 50 Hz (European Standard)
- C - EIA, 230V AC, 50 Hz (North American Standard)
- D - CCIR, 115V AC, 60 Hz (European Standard)

Environmental Rating

- 4 - Lab Plus (remote Control)
- 5 - Laboratory Chassis
- 6 - Weatherproof
- 7 - Explosion proof

Particle Size Range

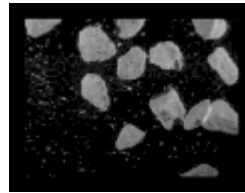
- 0 - 0.002" - 0.24" [50 microns - 6 mm]
(Ref Doc. TA9553-1)
- 2 - 0.02" - 0.50" [0.5 mm - 12.7 mm]
- 3 - 0.1" - 3" [2.5 mm - 76 mm]
(Ref Doc. TA9308-1)
- 5 - 0.25" - 6" [6.3 mm - 152 mm]
(Ref Doc. TA9308-1)
- 7 - 0.75" - 9" [19 mm - 230 mm]
(Ref Doc. TA9308-1)

Feeder

- 0 - Standard Feeder
- 2 - Enclosed Feeder

Accessories

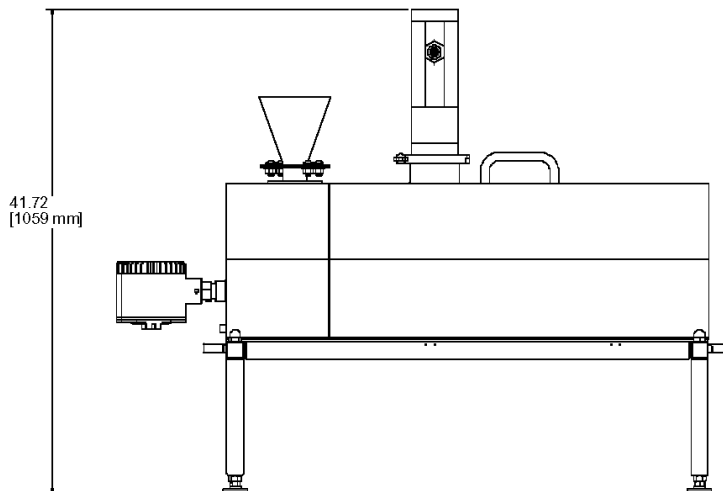
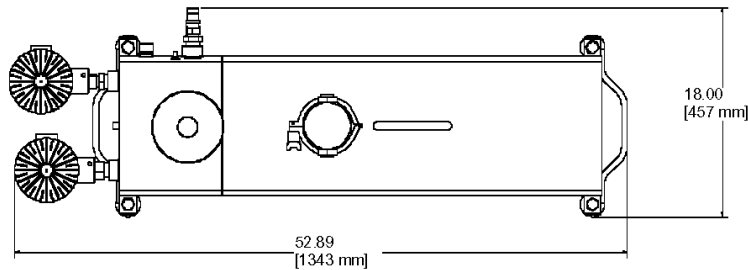
- 0 - No accessories
- 1 - Fines Separator*
- 2 - Black Speck
(Black Speck option is not available with vector- CRL)
- 3 - Color Speck
(Color speck option is not available with vector-CRL)



Live Image



Black Speck Detection



* Fines separator is used to separate small particles (under 80 micron) for optimal particle orientation. Consult factory if required for your application.

JM Canty Inc Buffalo, NY USA

Ph: (716) 625-4227

Fax: (716) 625-4228

JM Canty Ltd Dublin, Ireland

Ph: + 353 (01) 882 9621

Fax: +353 (01) 882 9622