

CANTY

PROCESS TECHNOLOGY

ROCKSIZER™ ONLINE SIZING SYSTEM



THE CANTY ADVANTAGE

The JM Canty RockSizer™ is a vision-based measurement system used with a Canty Vector for aggregate particle size analysis. The RockSizer™ includes a B&W camera with variable magnification lens, dual light sources with flexible fiber optic light guides, and a vibratory feeder to present sample material to the camera/lights in free fall. The RockSizer™ electronics are packaged in a rugged, weather proof, skid mounted frame designed to meet the demanding requirements of many industries, including the aggregate industry. The RockSizer™ is equipped with a patented Jet SprayRing™ that can be intermittently pulsed to control dust buildup on the outside of the camera view port. The camera video is provided to the Canty Vector System for particle size analysis.

FEATURES

- Outdoor Lab Analyzer
- Particle Distribution by Major, Minor Diameter, Area, Perimeter Available with the Canty Vector System
- Real-time, On-line Particle Size Analysis
- Dual Fiber Optic Backlighting for True Shape Illumination
- Easy, Rapid System Configuration
- Rugged, Skid Mounted Frame

APPLICATIONS

- Aggregate
- Crusher Control
- Iron Ore Pellets
- Milling Controls
- Potato & Agricultural Product
- Screen Break
- Screen Blinding
- Wood chip
- Many, Many More

SPECIFICATIONS

Aggregate:	1/10" – 2" Particle/Object. 50-6000 micron, .75"-9" Models also available. Consult Factory.
Rating:	NEMA 4 Weather proof
Power:	120V AC, 60Hz, (230V AC, 50Hz available) Single Phase, 900W
Dimensions:	Approx. 6 ft. (L) X 3 ft. (W) X 5 ft. (H)
Weight:	Approx. 750 lbs

BENEFITS

- Reduces Lab Screening Labor
- Output Matches Sieve/Screen Data - Direct Replacement
- Fast Pay Back

JM Canty Inc Buffalo, NY USA

Ph: (716) 625-4227

Fax: (716) 625-4228

JM Canty Ltd Dublin, Ireland

Ph: + 353 (01) 882 9621

Fax: +353 (01) 882 9622

Ordering Information

HOW TO ORDER: Select the appropriate symbols and build a model number as shown:

EXAMPLE:

SPA-6300

Video Format/Input Power

- A - EIA, 115V AC, 60 Hz (North American Standard)
- B - CCIR, 230V AC, 50 Hz (European Standard)
- C - EIA, 230V AC, 50 Hz (North American Standard)
- D - CCIR, 115V AC, 60 Hz (European Standard)

Environmental Rating

- 4 - Lab Plus (remote control)
- 5 - Laboratory Chassis
- 6 - Weatherproof
- 7 - Explosionproof

Particle Size Range

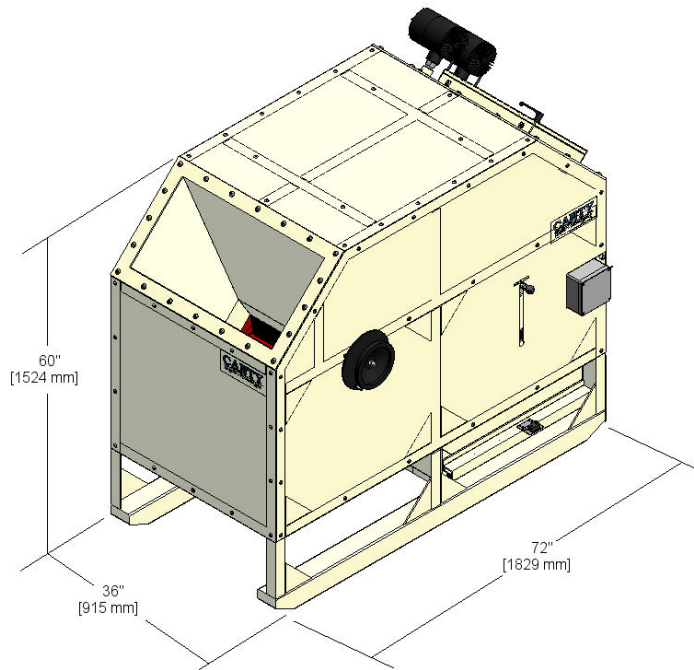
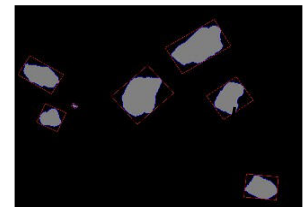
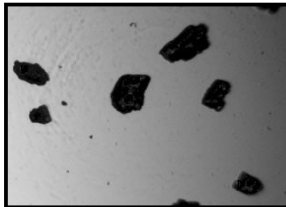
- 0 - 0.002" - 0.24" [50 microns - 6mm]
(Ref Doc TA9553-1)
- 2 - 0.02" - 0.50" [0.5mm - 12.7mm]
(Ref Doc. TA8748-1)
- 3 - 0.1" - 2" [2.5mm - 51mm]
- 5 - 0.25" - 6" [6.3mm - 152mm]
- 7 - 0.75" - 9" [19mm - 230mm]

Feeder

- 0 - Standard Feeder
- 2 - Enclosed Feeder

Accessories

- 0 - No accessories
- 1 - Fines Separator*
- 2 - Black Speck
(Black Speck option is not available with vector-LT)
- 3 - Color Speck
(Color speck option is not available with vector-LT)



* Fines separator is used to separate small particles (under 80 micron) for optimal particle orientation. Consult factory if required for your application.

JM Canty Inc Buffalo, NY USA Ph: (716) 625-4227 Fax: (716) 625-4228

JM Canty Ltd Dublin, Ireland Ph: + 353 (01) 882 9621 Fax: +353 (01) 882 9622