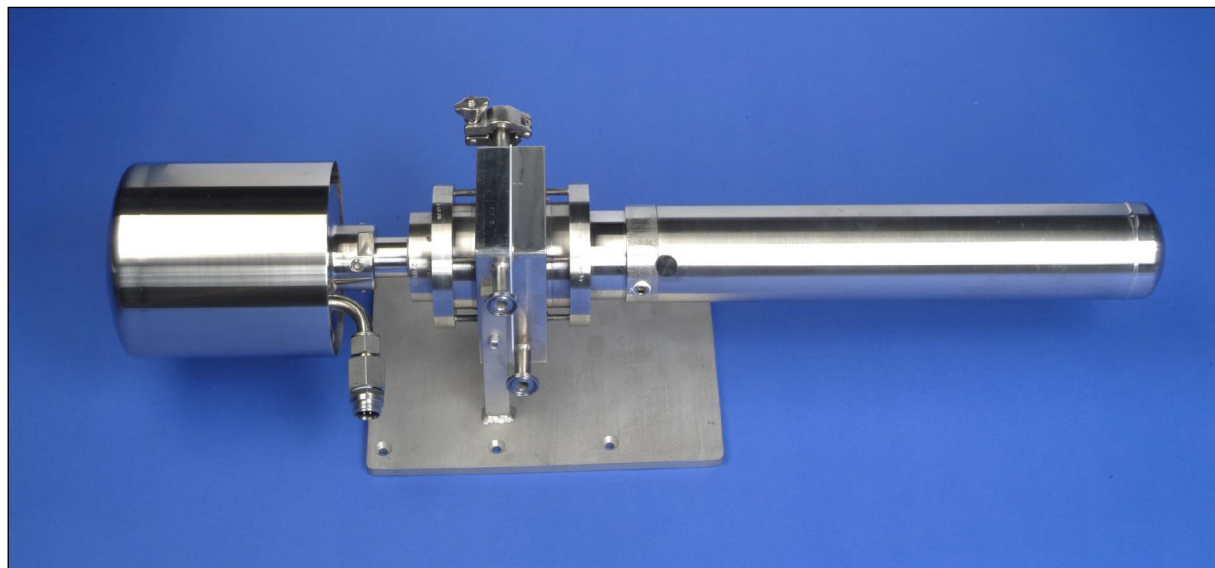


CANTY

PROCESS TECHNOLOGY

MICROFLOW PARTICLE SIZING SYSTEM



THE CANTY ADVANTAGE

The Cauty Microflow has been engineered to offer the user a means by which a liquid is analyzed while under varying pressures, temperatures and flow rates. The Microflow offers sample or continuous, microscopic, non-destructive viewing and provides particle size analysis with two dimensional results when used in conjunction with the Cauty Vector System. The vision system, with integral lighting, features precision optics designed to enhance the image prior to display or analysis. The image sensor is a high resolution / high speed CCD camera coupled to a microscopic lens system. The system offers zoom and focus ability, variable lighting, and multiple objective lens packages to cover a range of sizes. Our Microflows all feature the Fuseview™ window as the product contact barrier. Our unique fused glass windows far exceed all other glass windows in safety and performance. The fused glass provides a flush finish, without the pocketing found in other mechanical seals which disturb the flow pattern and particle distribution and can damage or deform particles.

APPLICATIONS

- Bio-Tech Cell Growth, Count and Characterization
- Crystal Growth Analysis
- Polymer Bead Growth and Shape Analysis
- Mining and Aggregate Particle Size
- Centrifuge Effluent and Screen Break Detection
- In-Line Particle Size for Process Control
- Gel, Emulsion and Bubble Classifier
- Micro-Reactor Analysis- Dual Inputs and Flush Loop with Sanitary Connections
- Percent Solids / Turbidity
- End Product Quality Control and Lot Certification
- Replace Laser and Sieve with Two Dimensional Distribution by Shape

FEATURES

- Particle Size, Shape and Distribution with Real Time Analysis
- Fused Glass Pressure Barrier Standard
- Rated 150 PSI @ 500 Deg. F., Options through 6,000 PSI.
- On-Line or Lab Plus (remote control)
- Adjustable Gap Option
- Seamless Design. Unit Can Be Orientated Horizontal or Vertical
- On-Line Dilution Port
- Instantaneous Mixing Port
- Regulated Temperature Option
- Bypass Loop Option Available for Flow Control
- ½ Inch Sanitary Connections Standard

CANTY
www.jmcanty.com

JM Cauty Inc | Buffalo, NY USA | Ph: (716) 625 4227 | Fax: (716) 625 4228
JM Cauty Intl Ltd | Dublin, Ireland | Ph: +353 (01) 882 9621 | Fax: +353 (01) 882 9622

Ordering Information

HOW TO ORDER: Select the appropriate symbols and build a model number as shown:

FCLF-V6B21B20C

EXAMPLE:

Microflow

LF - Laminar Flow

HP - High Pressure

VISION SYSTEM

V - NTSC (North American standard)

VE - PAL (European standard)

ENVIRONMENTAL RATING

5 - Lab Plus (remote control)

6 - NEMA 4 weatherproof, IP66

7 - Explosion proof (US) or flame proof (Europe)

CAMERA OPTIONS

B - B&W camera

C - Color camera

PARTICLE SIZE RANGE

PS View

0 - 0.6 - 200 micron

1 - 3 - 1100 micron

2 - 5 - 1800 micron

PS Measure

1 - 50 micron

5 - 300 micron

10 - 400 micron

POWER SUPPLY OPTIONS

1 - User supplies 115V AC

2 - User supplies 230V AC

O-RING OPTIONS (GASKET TEFLON)

A - Teflon

B - Viton

C - Buna

D - EPDM

E - Silicone

ADDITIONAL OPTIONS

0 - None

1 - Heating Elements

FLOW PATH SPACING

1 - FIXED GAP

2 - VARIABLE GAP

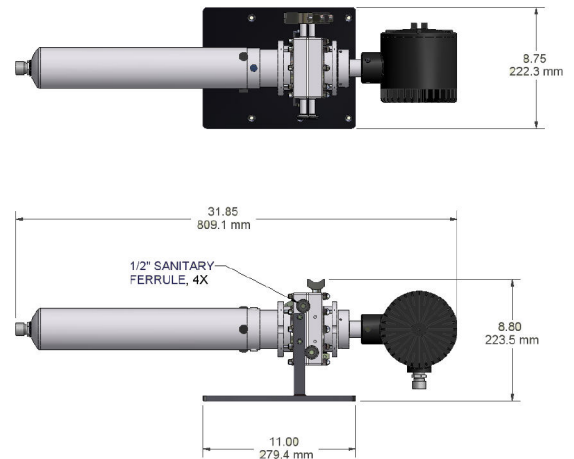
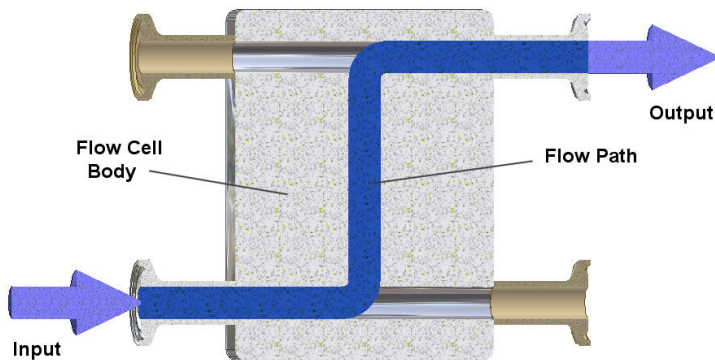
WETTED MATERIAL OPTION

B - 316L Stainless Steel

D - Alloy C-276

E - Alloy C-22

Flow Diagram



SPECIFICATIONS

- Power: 115V AC / 60 Hz (230V AC / 50Hz, models available)
- Shutter Speed: Variable Up To 1/100,000 sec
- Weatherproof Seals on Camera and Light Source
- Gasket Materials: Teflon, Viton, Buna, EPDM, Silicone
- 1/2 inch Sanitary flow connections (two in and two out, with two plugs)
- Optional Laboratory Flow Loop Sample Feed

CANTY

JM Canty Inc

Buffalo, NY USA

Ph: (716) 625 4227

Fax: (716) 625 4228

JM Canty Intl Ltd

Dublin, Ireland

Ph: + 353 (01) 882 9621

Fax: +353 (01) 882 9622

www.jmcanty.com

P/N TA9309-1 Rev. 2