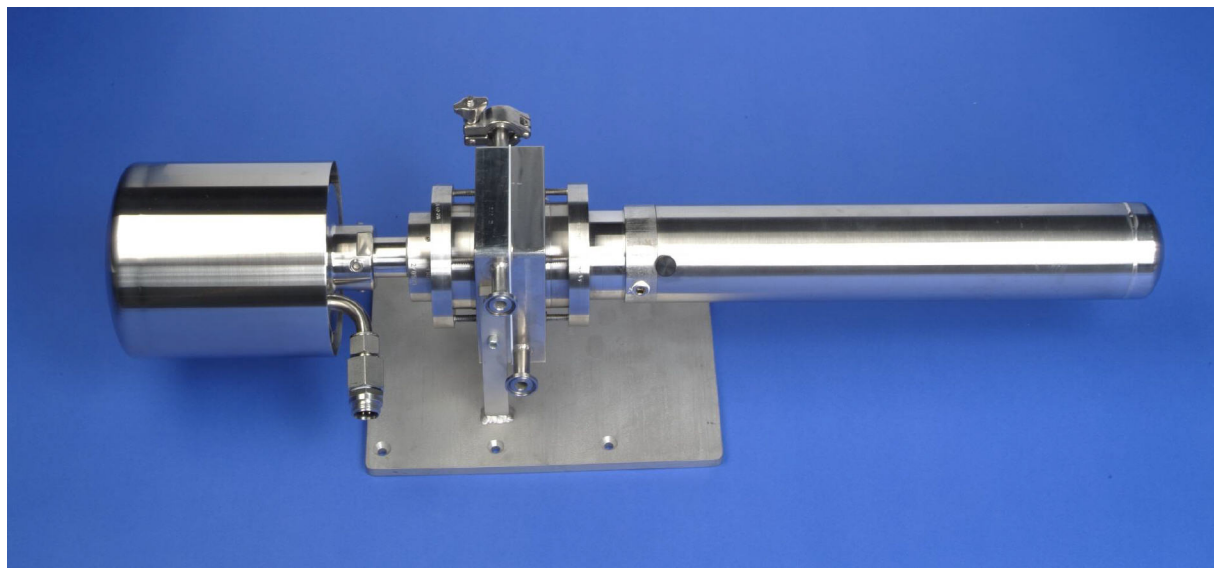


CANTY

PROCESS TECHNOLOGY

WATERCELL™ FLOWCELL SYSTEM



THE CANTY ADVANTAGE

The Canty Watercell™ system analyzes potable water supplies with vision technology in order to provide a complete solution for inspection and analysis not available in other traditional analyzers. The Canty system provides not only for a count of particles, but also provides information on each particle such as size, shape, perimeter and aspect ratio. With this information a more complete analysis of the particulate can be achieved. The Watercell™ provides the scientist with the ability to inspect on-line, select specific organisms in the view and capture their images for analysis and record. The vision system, with integral lighting, features precision optics designed to enhance the image prior to display or analysis. The image sensor is a high resolution / high speed CCD camera coupled to a microscopic lens system. The system offers zoom and focus ability, variable lighting, and multiple objective lens packages to cover a range of sizes.

APPLICATIONS

- Water Treatment
- Food Processing
- Pharmaceutical Processing
- Bio-Tech Cell Growth, Count and Characterization
- Crystal Growth Analysis
- Polymer Bead Growth and Shape Analysis
- In-Line Particle Size for Process Control
- Gel, Emulsion and Bubble Classifier
- Micro-Reactor Analysis- Dual Inputs and Flush Loop with Sanitary Connections
- Percent Solids / Turbidity
- End Product Quality Control and Lot Certification

FEATURES

- Particle Size, Shape and Distribution with Real Time Analysis
- Fused Glass Pressure Barrier Standard
- Rated 150 PSI @ 500 Deg. F., Options through 6,000 PSI.
- On-Line or Lab Plus (remote control)
- Adjustable Gap Option
- Seamless Design. Unit Can Be Orientated Horizontal or Vertical
- On-Line Dilution Port
- Instantaneous Mixing Port
- Dark Field Illumination Option
- Bypass Loop Option Available for Flow Control
- ½ Inch Sanitary Connections Standard

CANTY
www.jmcanty.com

JM Canty Inc | Buffalo, NY USA | Ph: (716) 625 4227 | Fax: (716) 625 4228
JM Canty Intl Ltd | Dublin, Ireland | Ph: +353 (01) 882 9621 | Fax: +353 (01) 882 9622

Ordering Information

HOW TO ORDER: Select the appropriate symbols and build a model number as shown:

FCWM-V6C11B10B

EXAMPLE:

WM - WATERCELL™
FLOWCELL SYSTEM

VISON SYSTEM
V - NTSC (North American standard)
VE - PAL (European standard)

ENVIRONMENTAL RATING
6 - NEMA 4 weatherproof, IP66

CAMERA OPTION
C - Color camera

PARTICLE SIZE RANGE
PS View PS Measure
1 - 3 - 1100 micron 5 - 300 micron

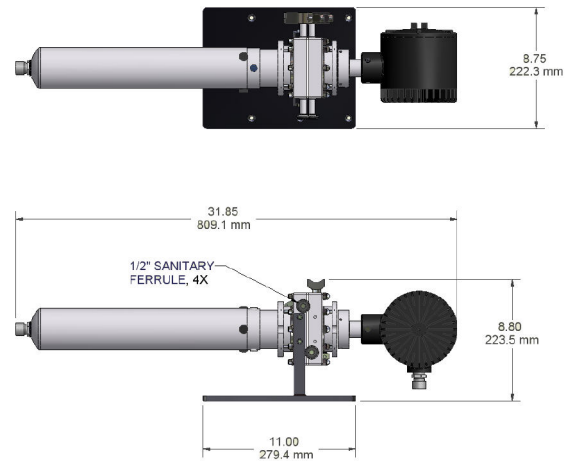
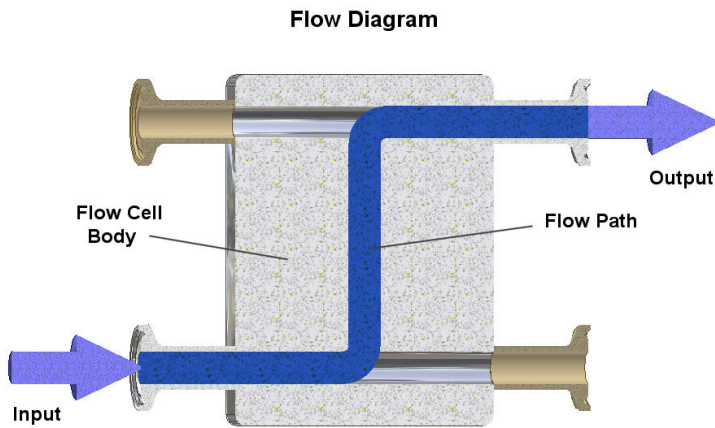
POWER SUPPLY OPTIONS
1 - User supplies 115V AC
2 - User supplies 230V AC

O-RING OPTIONS (GASKET TEFLON)
B - Viton

ADDITIONAL OPTIONS
0 - None

FLOW PATH SPACING
1 - FIXED GAP

WETTED MATERIAL OPTION
B - 316L Stainless Steel



SPECIFICATIONS

- Power: 115V AC / 60 Hz (230V AC / 50Hz, models available)
- Shutter Speed: Variable Up To 1/100,000 sec
- Weatherproof Seals on Camera and Light Source
- 1/2 inch Sanitary flow connections (two in and two out, with two plugs)
- Optional Laboratory Flow Loop Sample Feed

CANTY	JM Canty Inc Buffalo, NY USA Ph: (716) 625 4227	JM Canty Intl Ltd Dublin, Ireland Ph: + 353 (01) 882 9621	Fax: (716) 625 4228 Fax: +353 (01) 882 9622
--------------	---	---	--

www.jmcanty.com