

Electrical Parameters Measurement

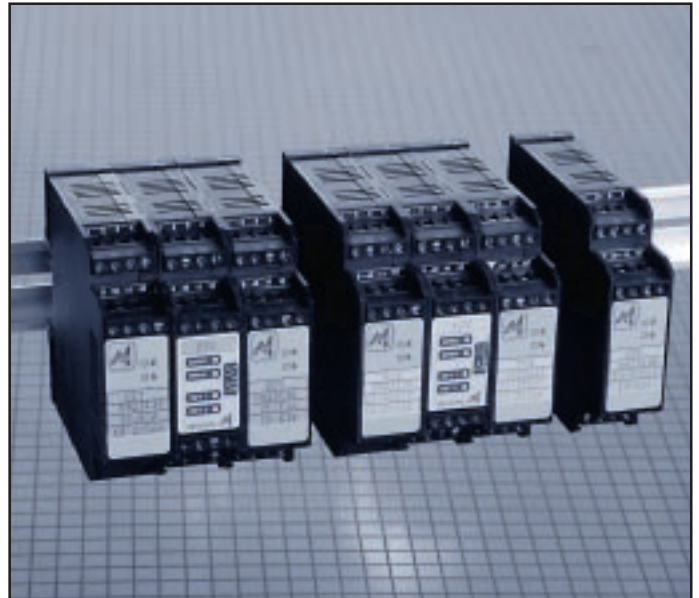
AC POWER/CURRENT/VOLTAGE

EP Series

The EP series is a high accuracy family of electrical parameter measurement instruments featuring full galvanic isolation. The entire series is available as a two wire loop powered transmitter or a four wire AC or DC powered signal conditioning units.

The EP series inputs and outputs can be easily configured without requiring special tools or board modifications. AC conversion is performed using either full wave rectification or via true RMS methods.

For units with current output a Test provides a 40-200 mV signal proportional to the 4-20mA output. Applying a DVM to the TEST terminals allows for monitoring and verification of the output without interrupting or disconnecting the current loop. Optional features include dual trip alarm relays (2A@250V) capability with dual LED status



FEATURES:

- 2 wire transmitter system OR
- 4 wire versions (AC or DC) powered
- Eliminates ground loop errors
- Over 2000 Volts isolation
- High density Din rail mounting
- Accuracy better than 0.25%
- FWR average signal conversion
- Output test terminals

OPTIONS:

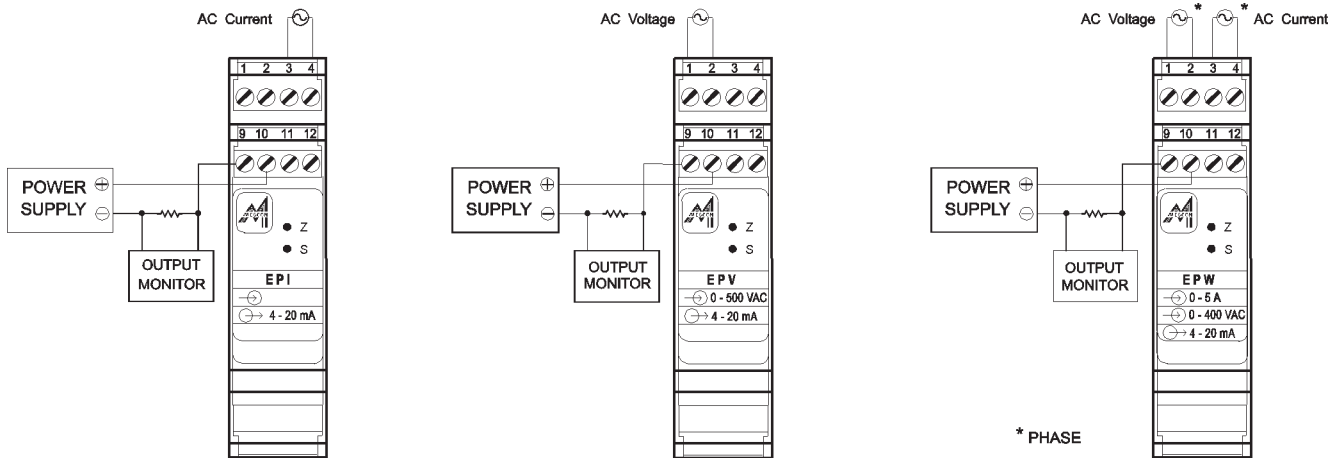
- True RMS conversion measurement
- Single or dual alarm output with LED status indication
- Custom calibration & special features.
- Input currents to 12 Amps.
- Input voltage to 750 Volts



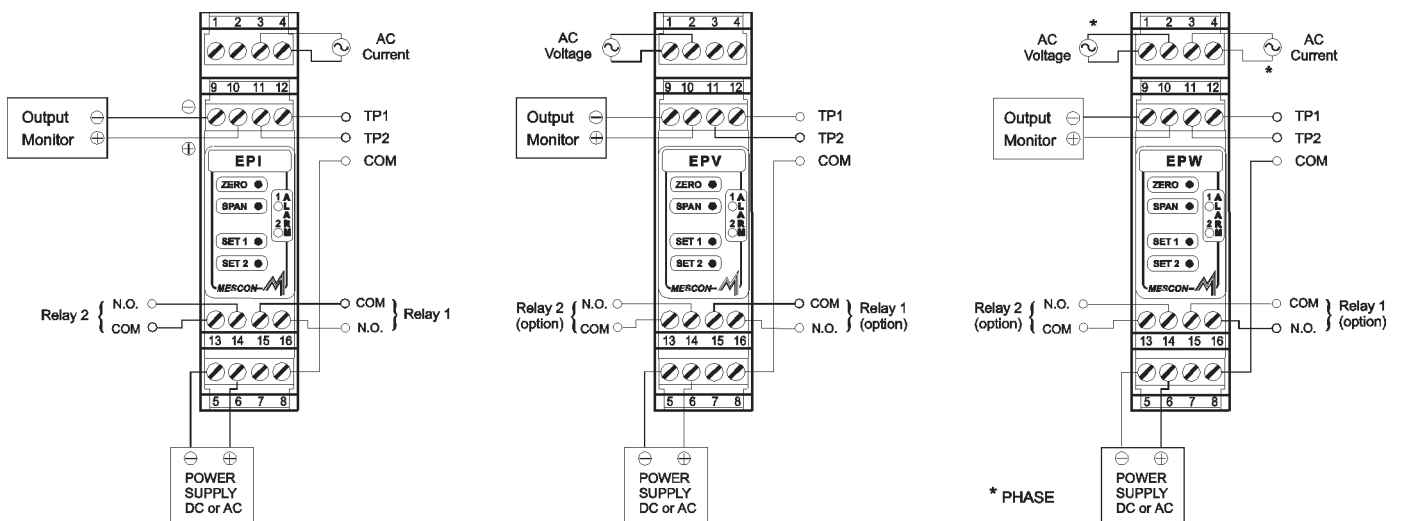
MESCON
Technologies, Inc.

9318 Gulfstream Road, Frankfort, IL 60423 Phone: 815-464-5004 Fax: 815-464-5003
E-Mail: mescon@mescontec.com Web Site: www.mescontec.com

Loop Powered



AC/DC Powered



SPECIFICATIONS:

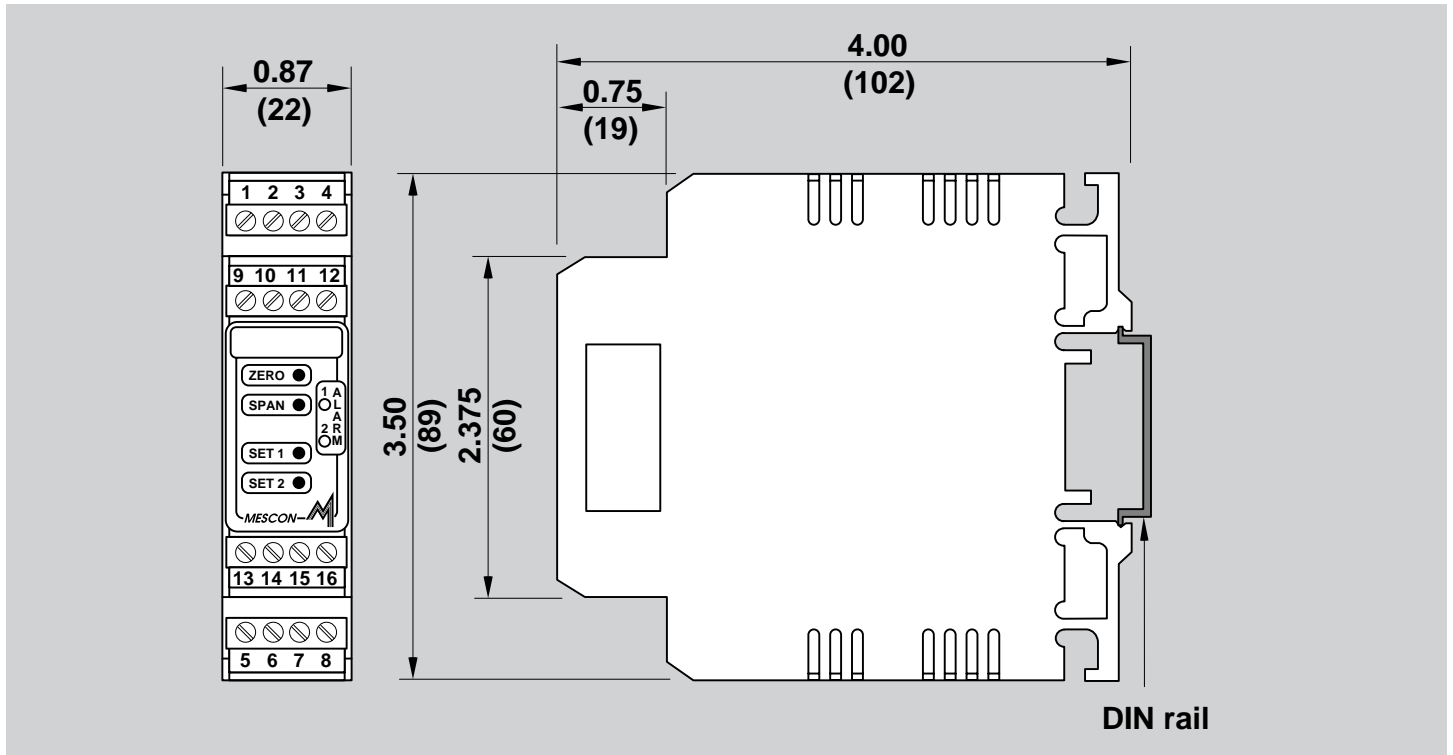
Supply Voltage	(Loop Powered)	10 - 36 VDC Polarity protected
	(DC Powered)	24 VDC Polarity protected
	(AC Powered)	115 or 230 VAC $\pm 10\%$, 50/60 Hz.
Input Ranges	EPI (current)	Min. 0 - 1 Amp, Max. 0 - 10 Amps AC current: 40 Hz - 2 kHz
	EPV (voltage)	Min. 0 - 3 Volts, Max. 0 - 500 Volts AC Voltage: 40 Hz - 2 kHz
	EPW (watts)	AC Watts: 40 Hz - 2 kHz Voltage: to 500 V, Current: to 10A
Outputs	(Loop Powered)	4-20mA, limiting at <28mA
	(AC or DC Powered)	Voltage: 0-1, 0-2, 0-5, 0-10, ± 5 , ± 10 V std. Current: 4-20, 0-20, 0-1, 1-5 mA std.
Alarm Outputs	(AC or DC Powered Only)	0, 1, 2 set-points, adjustable dead band LEDs or relay outputs, rated 2A@250V
Isolation	Input/Output/Supply	2000 VDC or peak AC 1500 VDC for DC powered conditioners
Conversion Method	EPI & EPV	True RMS or FWR, averaging
	EPW	Four-Quadrant multiplying
Linearity (BSLF)		$\pm 0.15\%$ of Span, max.
Stability		$\pm 0.02\%/^{\circ}\text{C}$, max. combined zero + span
Input Voltage Drop	EPI	<200mV for 10A input, max.
Input Voltage Impedance (Ký)	EPV, EPW	equal to input range (in Volts) 1mA burden
Input Current Voltage Drop	EPW	<200mV @ 10A input current
Operating Temperature	EPI, EPW	-20°C - 70°C (0°F - 160°F)
	EPV	40°C - 86°C
Humidity		0 - 95%RH, non-condensing
Adjustability		$\pm 20\%$ on both zero and span
Mounting		DIN rails, 35mm

All specifications are subject to change without notice.

Electrical Parameters Measurement

AC POWER/CURRENT/VOLTAGE

EP Series



EP SERIES - ORDERING INFORMATION

EPX - (X/X) X - XX - X - X - X - (X/X) X

INPUT TYPE: _____ UNITS: _____

I = Current
V = Voltage
W = Watts

INPUT RANGES: _____

EPI - Min. 0 ÷ 1 Amp, Max. 0 ÷ 10 Amps.
AC current

EPV - Min. 0 ÷ 3 Volts, Max. 0 ÷ 500 Volts
Ac Voltage

EPW - AC Watts: Min. 0 ÷ 3 Wt, Max. 0 ÷ 5 kWt
Voltage: to 500V, Current: to 10A

UNITS: (I, V, W) _____

LINE FREQUENCY: _____

1 - 50 Hz
2 - 60 Hz
3 - 400 Hz
4 - Other(specify) _____

POWER SUPPLY: _____

1 - loop powered
2 - 24 VDC
3 - 115 VAC
4 - 230 VAC

CONVERSION: _____

1 - true RMS
2 - average

OUTPUT RANGE: _____

(low/high)

ALARM: _____

0 - none
1 - single set -point
2 - dual set -point

Please request our ordering and calibration diskette describing the balance of Mescon's products.



Distributed by: _____