

Isotec-5 Series

Loop Isolating Transmitters and Signal Conditioners



Description

Isotec-5 is a member of Mescon's growing family of loop isolation products. It is designed to duplicate current loop signals or convert standard voltage signals, while providing galvanic isolation, at very low loop burden and high load drive capabilities. The Isotec-5 is housed in a slim DIN rails mounted, very high-density enclosure. As such it is suitable for applications requiring multiple isolating channels at low systems' costs.

Features

- High density installation (6.5mm Width Per channel)*
- Low cost.
- RFI/EMI/Surge Protected.
- Prevents ground loop problems.
- Full Isolation Input/Output/Supply of 1.5 KV.
- Low Input Voltage drop (200 mV) (for current Input)

* for dual channel version

Options

Available in 6-different configurations:

- 1) Loop-powered single Channel.
- 2) DC-powered single Channel.
- 3) Loop-powered dual Output.
- 4) DC-powered dual Output.
- 5) Loop-powered dual Channel.
- 6) DC-powered dual Channel.



MESCON
Technologies, Inc.

9502 Gulfstream Road • Suite A • Frankfort, IL. 60423 • Telephone: 815-464-5004 • Fax: 815-464-5003
E-Mail Address: mescon@mescontec.com • Web Site: www.mescontec.com

Isotec-5 Series

Loop Isolating Transmitters and Signal Conditioners

Specifications:

Input ranges (mA):.....0-20, 4-20, 10-50, 1-5 mA std.

Input ranges (Volts):.....±1, 2, 5, 10 Volts std.

Other ranges:.....to ±100mA, to ±50V, upon request

Output:.....4-20mA

Supply (4 wire):.....28VDC ±25%

(2-wire):.....10-40VDC, loop powered

Isolation (fully isolated between Input/Output Supply):....1500 VDC or peak AC for 1min. 1000V continuous.

Basic accuracy:.....±0.05% of Span.

Stability:.....±0.01%/°C, max., for zero & span

Input Voltage drop:.....200mV for 20mA input, max.

Input impedance:.....1MΩ for voltage input

Max. load (4-wire):.....800 Ohms @ 20mA output (@ 24VDC)

Supply current (4-wire):.....<60mA @ 20mA output

Operating temperature:.....-20°C to 70°C (0°F to 160°F)

Humidity:.....0-95 %RH, non-condensing

Adjustability:.....±10% on both zero and span

Mounting:.....DIN rails, 35mm

Dimensions:.....W13xH89xD102mm (0.52x3.5x4.0")

ORDERING INFORMATION

ISOTEC-5 - X₁ - X₂ - X₃ - (X₄ / X₅) - X₆

1. Loop Powered
2. 4-Wire DC Powered

1. Single Input
2. Dual Input

1. Single Output
2. Dual Output

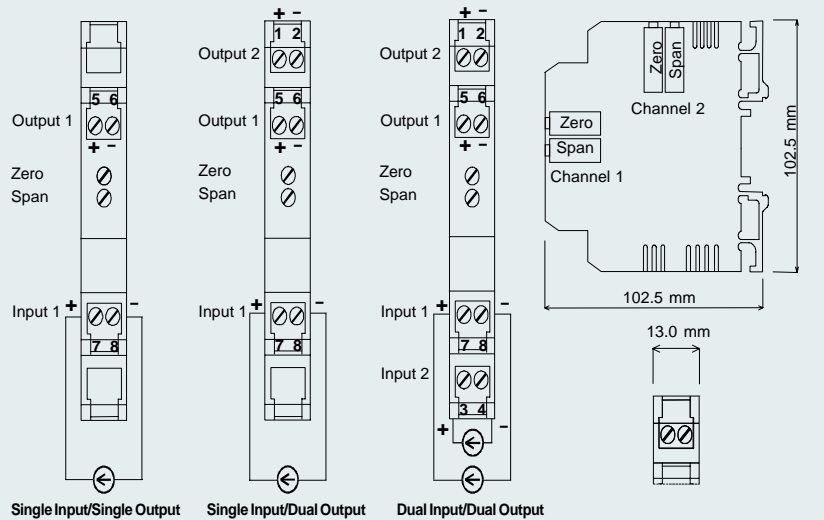
Input at Low end of Range

Input at High end of Range

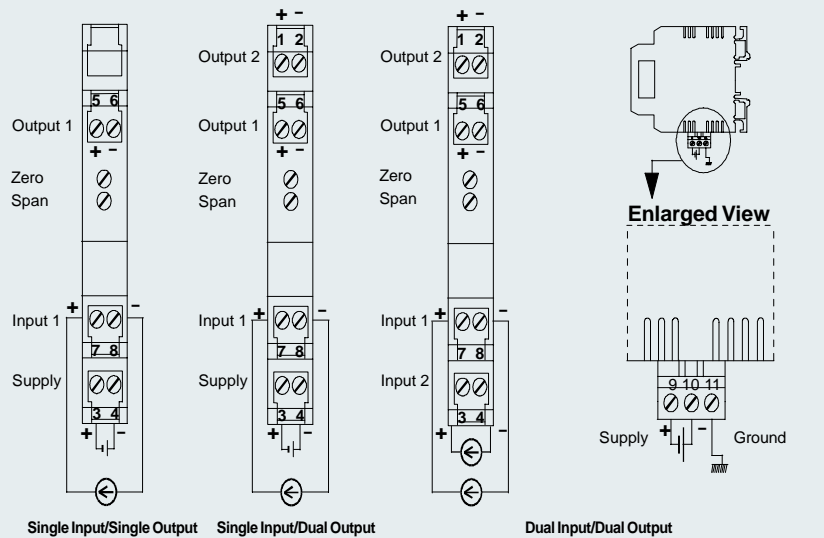
Input's Engineering Unit

Wiring Diagram

2-Wire, Loop Powered



4-Wire, DC Powered



MESCON
Technologies, Inc.

Tel: 815-464-5004 • Fax: 815-464-5003
E-Mail Address: mescon@mescontec.com
Web Site: www.mescontec.com

Distributed By: