

Isolation Repeater/Power Supply

High Precision, Wide Range

ISOTEC[®]-4 (H)

ISOTEC[®] series current loop isolators accept any standard current loop from 0 to 50mA and provides an identical isolated duplicate signal output with high precision and stability, with a minimum voltage drop and high immunity to load and load variations. In addition, the ISOTEC[®]-4 (H) includes a DC/DC converter which provides isolated power for a transmitter and enables bidirectional through path for digital (HART[®] protocol) communications.

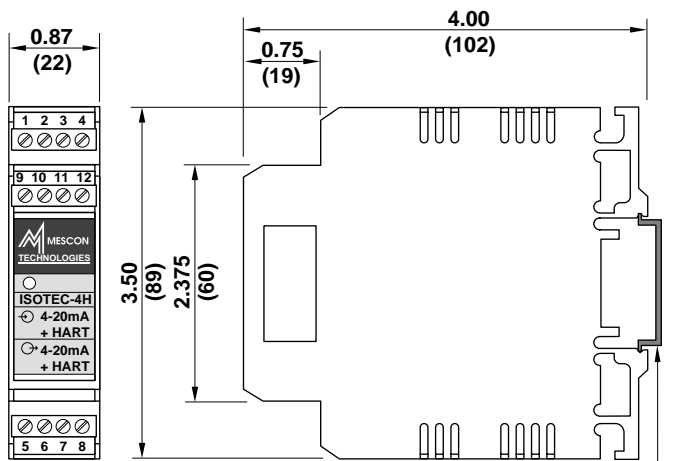


FEATURES:

- ISOTEC[®]-4 is auto calibrated for 0-50mA input
- ISOTEC[®]-4 isolates any current loop up to 50mA
- ISOTEC[®]-4 provides excellent RFI protection
- ISOTEC[®]-4 provides stabilized DC power supply
- ISOTEC[®]-4 has an inherently low voltage drop.
- ISOTEC[®]-4 0.1% accuracy is load independent
- ISOTEC[®]-4 has a superior temperature stability

OPTIONS:

- 10-50mA into 4-20mA conversion
- HART[®] communication transparency
- Custom DC/DC converter outputs



Dimensions are in inches (mm)

DIN rail



MESCON
Technologies, Inc.

9318 Gulfstream Road • Suite A • Frankfort, IL. 60423 • Telephone: 815-464-5004 • Fax: 815-464-5003
E-Mail Address: mescon@mescontec.com • Web Site: www.mescontec.com

Isolation Repeater/Power Supply

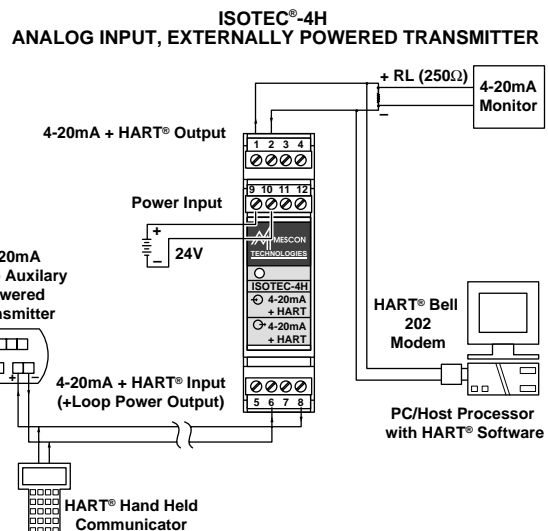
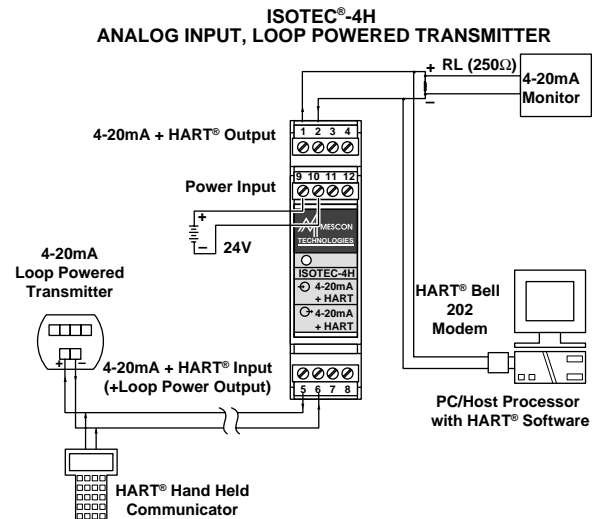
High Precision, Wide Range

ISOTEC[®]-4 (H)

SPECIFICATIONS:

- Input Signal 0..4..10..20..50 mA
- Output Signal 0..4..10..20..50 mA
- Response Time Less than 50 milliseconds
- Digital Compatibility HART[®] communication protocol
- Adjustability Automatic, for all ranges of ISOTEC[®]
- Power Supply Input 20 - 30 VDC
- Power Supply Output.... Fixed, 25-28 VDC, 30 mA max
- Internal Voltage Drop <1.8V @ 20 mA, <3V @ 50 mA
- Accuracy Better than $\pm 0.1\%$ of span (@ 25°C 5°C) (20 mA)
- Isolation >1.5KV DC/peak-AC Input/Output/Supply
- Temperature Stability Better than 0.5-A/°C
- Maximum Load 450 Ω for 20mA signal
- Operating Temperature . 0°C to 70°C
- Storage Temperature -40°C to 100°C
- Humidity 0-95% RH, non-condensing
- Mounting DIN rail or panel (with adaptor)
- Enclosure Plastic, High density, 22.5mm wide
- EMI/RFI Immunity Tested per SAMA PMC 33.1 from 20 to 1000MHz and field strength to 30 V/m, meets CE specifications

All specifications are subject to change without notice.



Sample loop showing the ISOTEC[®]-4 (H)

ORDERING INFORMATION

ISOTEC[®] - 4 (H)

ISOTEC[®] Model _____ HART[®] transparency _____

Please request our ordering and calibration diskette describing the balance of Mescon's products.

*Hart is a registered trademark of the Hart Communication Foundation
Isotec is a registered trademark of Mescon Technologies.*

Distributed By:

