

# Isolators-Current Loop Powered High Precision, Wide Range ISOTEC®

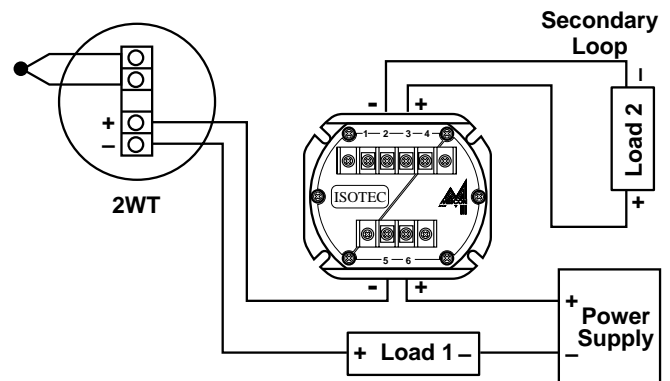
ISOTEC® current loop isolators accept any standard current loop signal from 0 to 50mA and reproduce an identical and isolated output current with a high degree of precision and superb stability. The ISOTEC® units require a very low voltage drop and have excellent immunity to load variations. The units are housed in a rugged Aluminum enclosure with special circuitry that provides superb RFI immunity.

## FEATURES:

- ISOTEC® provides excellent RFI protection
- ISOTEC® isolates any current loop up to 50mA
- ISOTEC® loop powered. No power supply needed
- ISOTEC® has an inherently low voltage drop
- ISOTEC® 0.1% accuracy is load independent
- ISOTEC® has superior temperature stability
- ISOTEC® is auto calibrated for 0-50mA input

## OPTIONS:

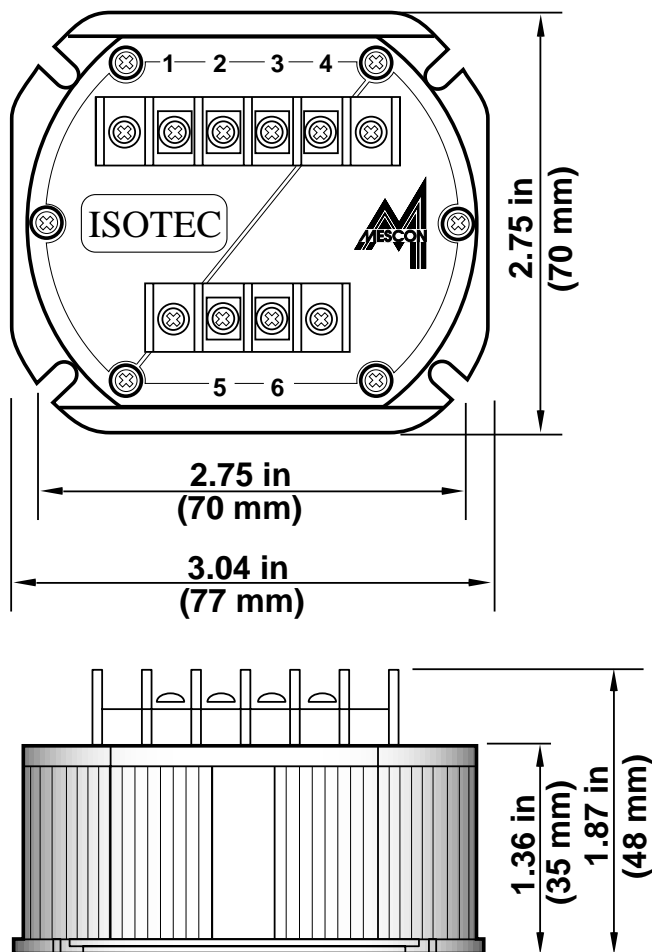
- 10-50mA into 4-20mA conversion
- NEMA 4X or NEMA 7 enclosure
- DIN rail mounting



A loop isolator will duplicate the primary loop signal into the secondary loop, isolating Load 2 from the primary loop.

Sample loop showing the ISOTEC®

# Isolators-Current Loop Powered High Precision, Wide Range ISOTEC®



Dimensions are in inches (mm)

## ORDERING INFORMATION

ISOTEC® - S

S - for special features  
10 - 50mA into 4 - 20 mA

*Please request our ordering and calibration diskette describing the rest of Mescon's products.*

## SPECIFICATIONS:

|                                |   |
|--------------------------------|---|
| Input Signal .....             | 0/4...10...20...50 mA   |
| Output Signal .....            | 0/4...10...20...50 mA   |
| Adjustability .....            | Automatic, for all ranges   |
| Input Compliance Voltage ..... | 16 VDC max applied to input terminals   |
| Internal Voltage Drop .....    | <1.8V @ 20mA, <3V @ 50mA  |
| Accuracy .....                 | Better than ± 0.1% of span  |
| Isolation .....                | >800VDC or peak AC, Input/Output<br>>400VDC or peak AC, Input/Output to case  |
| EMI/RFI Immunity .....         | Tested per SAMA PMC 33.1 from 20 to 1000MHz and field strength to 30 V/m, meets <b>CE</b> specifications              |
| Temperature Stability .....    | Better than 20ppm/°C  |
| Transfer Ratio .....           | 1:1 for ISOTEC®, 2.5:1 for ISOTEC®-S  |
| Maximum Output Load .....      | 750 $\Omega$ 20mA input/output  |
| Operating Temperature .....    | - 20°C to 85°C  |
| Storage Temperature .....      | - 40°C to 100°C   |
| Humidity .....                 | 0-95% RH, non-condensing  |
| Enclosure (ISOTEC®) .....      | Aluminum Hockey-puck housing 3.00" x 2.44" x 1.4" suitable for mounting into 3.5" diameter explosion-proof enclosures |
| Mounting .....                 | Panel mounting, Ex-proof enclosure, or DIN rail (with adaptor)  |

*All specifications are subject to change without notice. ISOTEC is a registered trademark of Mescon Technologies*



**MESCON**  
Technologies, Inc.

Tel: 815-464-5004 • Fax: 815-464-5003  
E-Mail Address: mescon@mescontec.com  
Web Site: www.mescontec.com

Distributed By: