

Site Programmable INterface 4-Wire Transmitter & Trip Alarm Series SPIN™-600

The SPIN™-600 is one of the world's most advanced user-friendly and powerful family of industrial transmitters and signal conditioners. State-of-the-art μ processor design combines simplicity, precision and ruggedness to produce unique instruments suitable for a multitude of precision industrial measurement, alarm and control functions in countless applications. The hardware and software building blocks provides the SPIN™-600 with the flexibility to adapt to a large variety of applications.

FEATURES:

- **Universal input capability:**
 - Model 600: Thermocouples, RTDs, DCmV, Potentiometers, Resistance.
 - Model 610: DCmA, DCmV, DC Volts.
 - Model 620: Frequency/pulse.
 - Model 630: Bridge/strain-gage.
- Fully software driven. All programmable input parameters.
- Precision linearization for Thermocouples and RTDs.
- Custom sensor linearization (40+ segments).
- Inverse input capability. Sensor breakdown indication.
- Fully configurable output, mA/Volts.
- Dual inputs for Thermocouple, mV, RTD, Resistance and Potentiometers.
- Triple input for RTDs, Resistance.
- Full feature dual set-point alarms with relay output.
- Full programming with PC.
- Totalizing/integration/batch control.
- Variable Input signal damping, Output simulation.
- Mathematical manipulation, display scaling.
- DIN rail mounting.
- Programmable no frills 4-wire transmitter function.



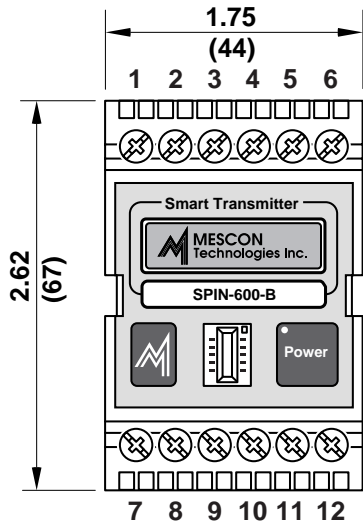
OPTIONS:

- 8 character alphanumeric LCD indicator for programming and input data display.
- Front panel programming keyboard or low cost hand-held portable programmer.
- Serial digital communications for interfacing with PCs or Programmable Controllers.
- Isolated RS-485 Communications for multi-drop applications.

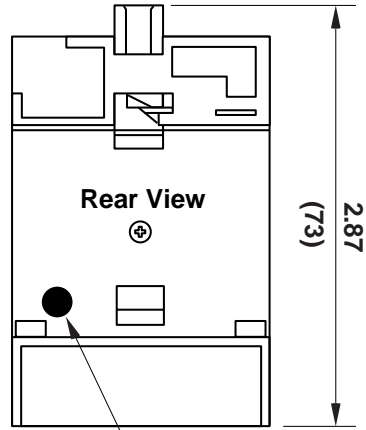


MESCON
Technologies Inc.

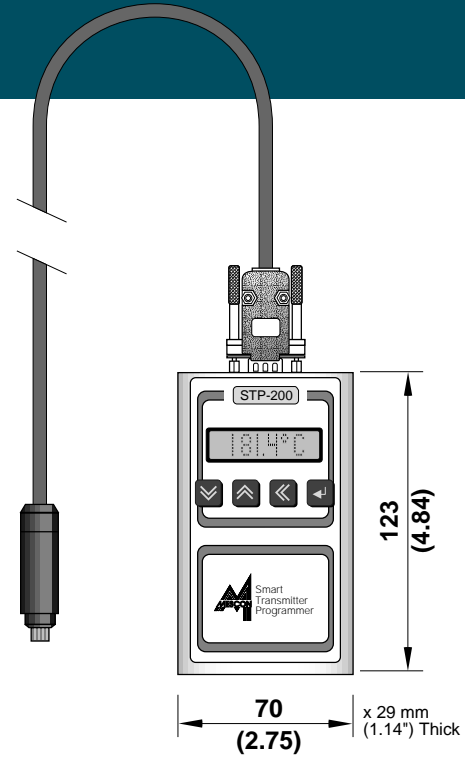
9318 Gulfstream Road • Suite A • Frankfort, IL. 60423 • Telephone: 815-464-5004 • Fax: 815-464-5003
E-Mail Address: mescon@mescontec.com • Web Site: www.mescontec.com



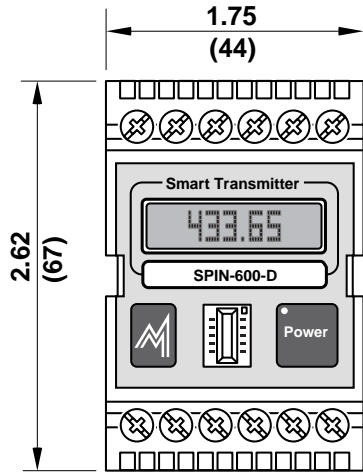
Standard



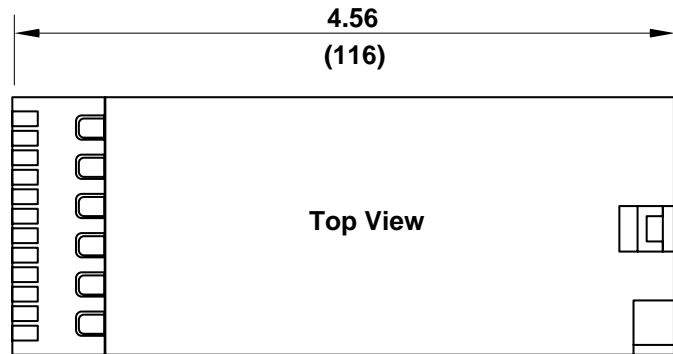
Programming Port



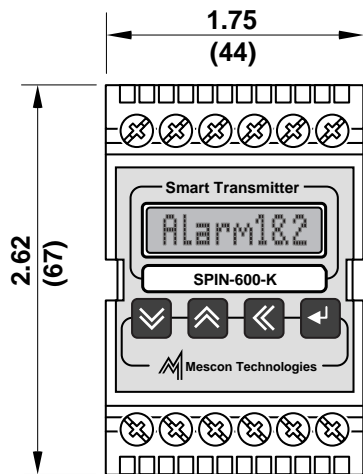
Hand-Held Programmer



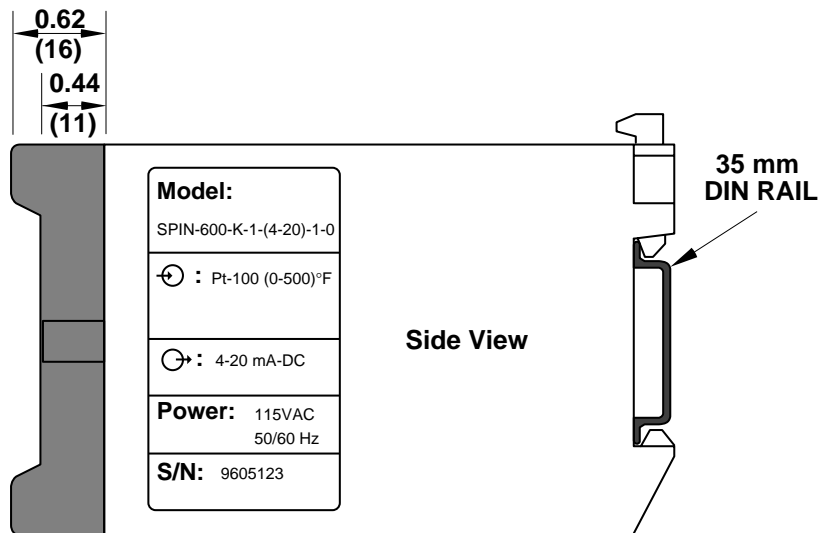
Optional Display



Top View



Optional Programmer Display



Side View

**35 mm
DIN RAIL**

Model:
SPIN-600-K-1-(4-20)-1-0
⊕ : Pt-100 (0-500)[°]F
⊖ : 4-20 mA-DC
Power: 115VAC
50/60 Hz
S/N: 9605123

Dimensions are in inches (mm)

SPECIFICATIONS:

INPUTS TYPES:

| | |
|-----------------------------|--|
| Thermocouples | (types E, J, K, T, R, S, N, B, C) Single or dual inputs. |
| RTD | 2, 3, or 4-wire. Single, dual and triple 2-wire Pt-100 (DIN & NIST curves) Pt-1000, Ni-110, Cu-10 and other RTD's. |
| DC-mV | ± 120.00 mV input span. Dual DC-mV, 0-120mV input span. |
| Potentiometers | 100 Ω to 20 k Ω single or dual. |
| Resistance | 2, 3 or 4-wire 0 to 600 Ω . Dual or Triple 2-wire input. |
| Optional Inputs | DCmA, DCmV, DC Volts, Frequency/Pulse and Bridge. |
| Minimum Range | None, limited only by signal quality. |
| Digital Resolution | >17 Bits. |
| ANALOG OUTPUT TYPES: | |
| Current | Any output, within the range of ± 25 mA example: 0-1mA, 4-20mA, ± 5 mA etc. |
| Voltage | Any output within the range of ± 10 V example: 0-10V, 0-5V, ± 5 V, 0-1V, etc. |
| Relay Output | 2xSPST rated AC 250V/5Amps, DC 30V/ 5 Amps. |
| Alarm Response Time | Less than 500mS after a step change in input. |
| Display (opt.) | 8 x 1 Character LCD indicator for programming and display of input, output and set-point parameters and status. |
| Supply | AC: 115 or 230 Volts 50/60 Hz $\pm 10\%$. DC: 24 Volts, $\pm 20\%$, Polarity protected. |

SPECIFICATIONS: Cont.

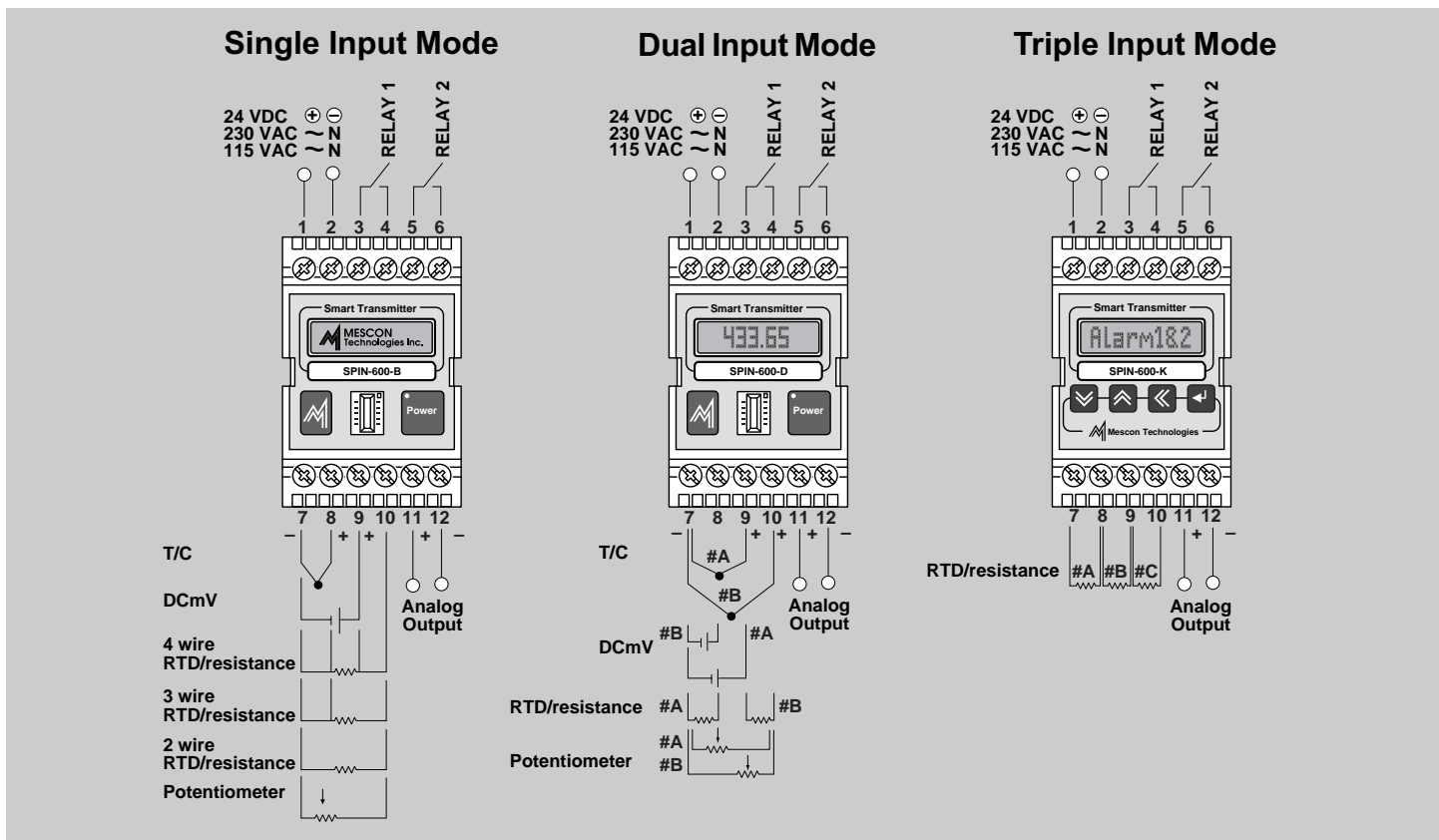
| | |
|-----------------------------|--|
| Operating Temperature | -20°C to +70°C. |
| Storage Temp. | -40°C to 125°C. |
| Humidity | 0-95% RH, non-condensing. |
| Turn-On-Time | Within 4 seconds to rated response. |
| Response Time | 0.5 seconds to 99% of reading (2 updates/second). Damping Factors Programmable 0.0 to 32.0 seconds. |
| Long Term Stability | Better than $\pm 0.1\%$ of span for 12 months. |
| Isolation | 1200 VDC or peak AC. |
| C.M.R.R. | >120db DC to 60Hz. |
| Enclosure | DIN rail mounted, Plastic. |
| Dimensions | W: 1.77" x H: 2.7" x D: 4.6". |

PERFORMANCE SPECIFICATIONS

| | |
|-------------------------------------|---|
| Analog Output Resolution | $\pm 0.015\%$ of output span. |
| Analog Output (D/A) Linearity | $\pm 0.015\%$ of span. |
| Digital Sensor Linearization | < ± 0.02 °C for Pt-100 RTD. < ± 0.1 °C for most useful thermocouple ranges. |
| Cold Junction Compensation | Automatically corrected to within ± 0.3 °C for all thermocouple types. |
| Temperature Stability .. | Zero: $\pm 0.003\%$ /°F of span. Span: $\pm 0.005\%$ /°F of span. |
| Calibration | Automatic. Unit includes all of the calibration parameters. It performs periodic "zero", "span", self-test, and auto calibration. |

All specifications are subject to change without notice.

Site Programmable INterface 4-Wire Transmitter & Trip Alarm Series SPIN™-600



ORDERING INFORMATION

SPIN - 6 X1 0 - X2 - X3 - X4 - X5 - X6

| | |
|---------------------------------|-------------------------|
| Input: _____ | Communication: _____ |
| 0 - T/C, RTD, mV, Pot, Res | 0 - none |
| 1 - DC mA, mV, Volt | 1 - Mescom |
| 2 - Frequency/pulse | 2 - RS232 |
| 3 - Bridge | 3 - RS485 |
| Programming version: _____ | Analog O/P: _____ |
| B - Basic, external programmer | 0 - none |
| D - Same but with LCD indicator | 1 - mA |
| K - with LCD indicator + keypad | 2 - Volt |
| Supply Options: _____ | Analog O/P range: _____ |
| 1 - 115 VAC, 50/60Hz | 0 - none |
| 2 - 230 VAC, 50/60Hz | (Z/S) - range |
| 3 - 24 VDC | 28VDC - fixed 28VDC |

Please request our ordering and calibration diskette describing the balance of Mescon's products.



**MESCON
Technologies Inc.**

Tel: 815-464-5004 • Fax: 815-464-5003
E-Mail Address: mescon@mescontec.com
Web Site: www.mescontec.com

Distributed By: